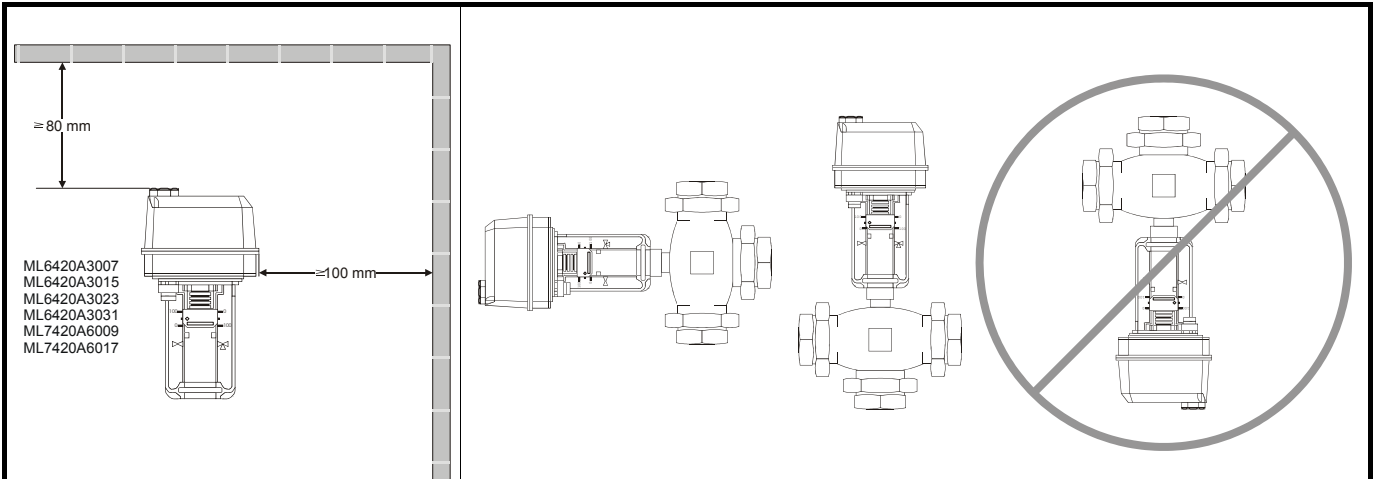


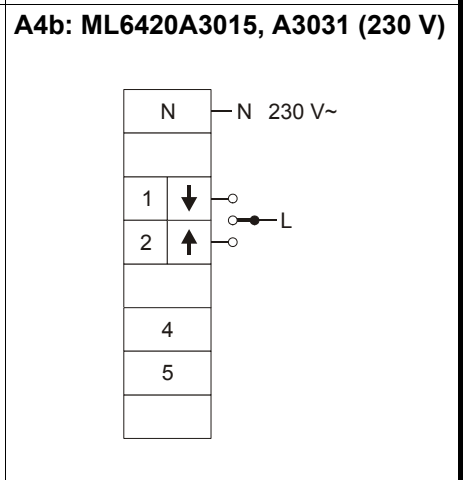
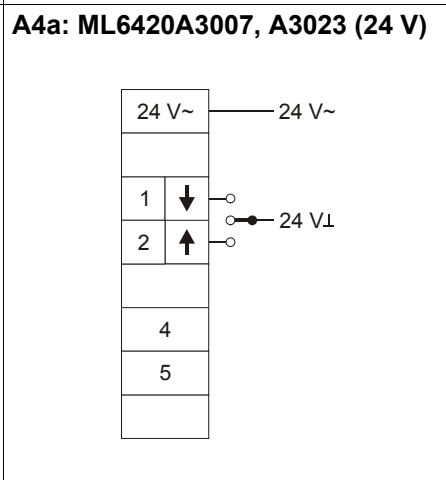
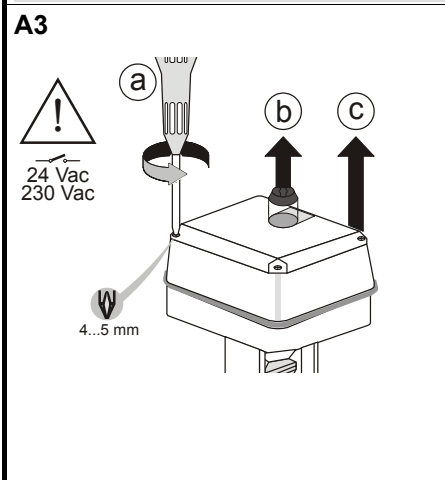
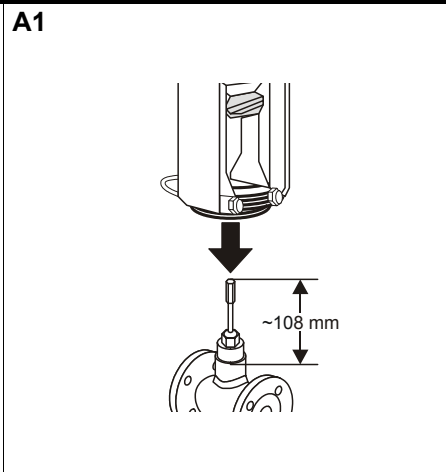
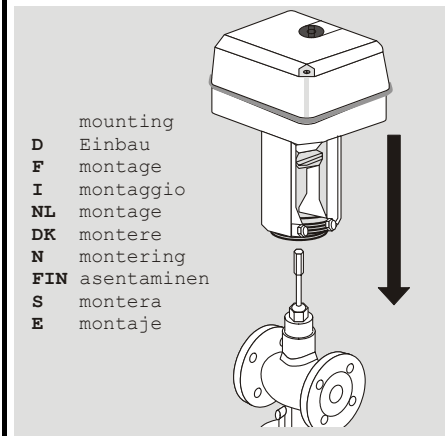
D Montageanweisung
 F Instructions d'installation
 I Istruzioni di montaggio
 NL Installatievoorschrift
 DK Installationsinstruktus
 N Installationsinstruktioner
 FIN Asennusohje
 S Installation instruktioner
 E Instrucciones de montaje

ML6420A/ML7420A Electric Linear Valve Actuators

INSTALLATION INSTRUCTIONS



A1-A6: Installation



<p>A4c: ML7420A6009, A6017 (0/2...10 V)</p>	<p>A5a: ML7420A6009, A6017 (0/2...10 V)</p>	<p>A5b: ML7420A6009, A6017 (0/2...10 V)</p>
<p>A5c: ML7420A6009, A6017 (0/2...10 V)</p>	<p>A6</p>	<p>B: Manual</p>
<p>C1-2: Dismounting</p> <p>dismounting D Ausbau F démontage I smontaggio NL demontage DK afmontere N demontere FIN purkaminen S nedmontera E desmontaje</p>	<p>C1</p>	<p>C2</p> <p>A3 → A4 → A2 → A1</p>

Automation and Control Solutions

Honeywell GmbH
Böblinger Strasse 17
71101 Schönaich
Germany

Phone: (49) 7031 63701

Fax: (49) 7031 637493

<http://ecc.emea.honeywell.com>

Subject to change without notice. Printed in Germany