

VERDER**M500 Peristaltic Pump**

1.6, 3.2, 4.8 mm ID Tube Sizes, Flow Rate To 730 ml/min (11.6 GPH)

DESCRIPTION

Model M500 is a versatile peristaltic pump ideal for a wide range of intermittent or continuous cycle applications.

Designed with the Original Equipment Manufacturer in mind, the pump is compactly packaged and light in weight. A selection of tubing materials, motor choices and options address a range of media compatibility and performance issues.

**SPECIFICATIONS**

Pump Head: Polycarbonate standard, Noryl optional

Rotor: 2 roller with rapid tube loading feature, polycarbonate

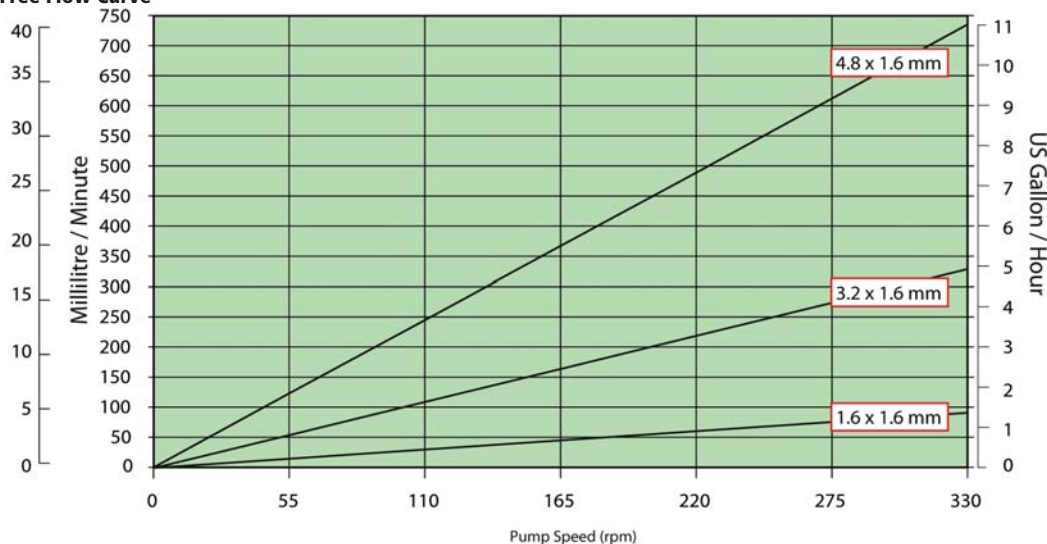
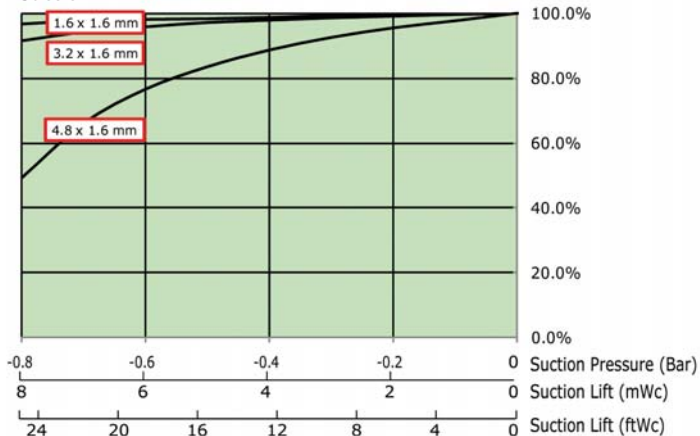
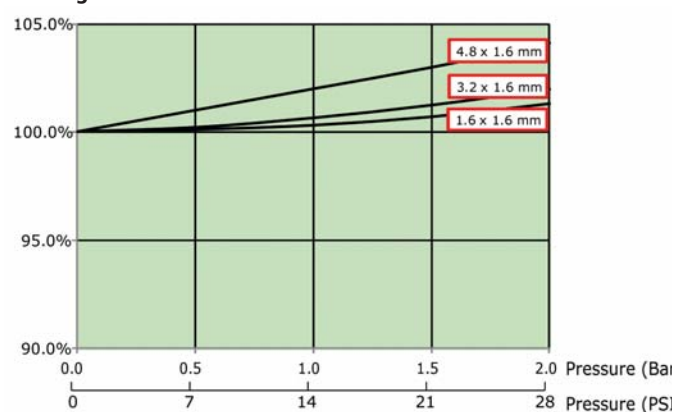
Motor: D.C. or Asynchronous shaded pole motor with spur gearbox, consult us for AC options

Power- 12/24V D.C. 20W: 110, 220, 230 VAC 50/60 Hz
100 - 280W

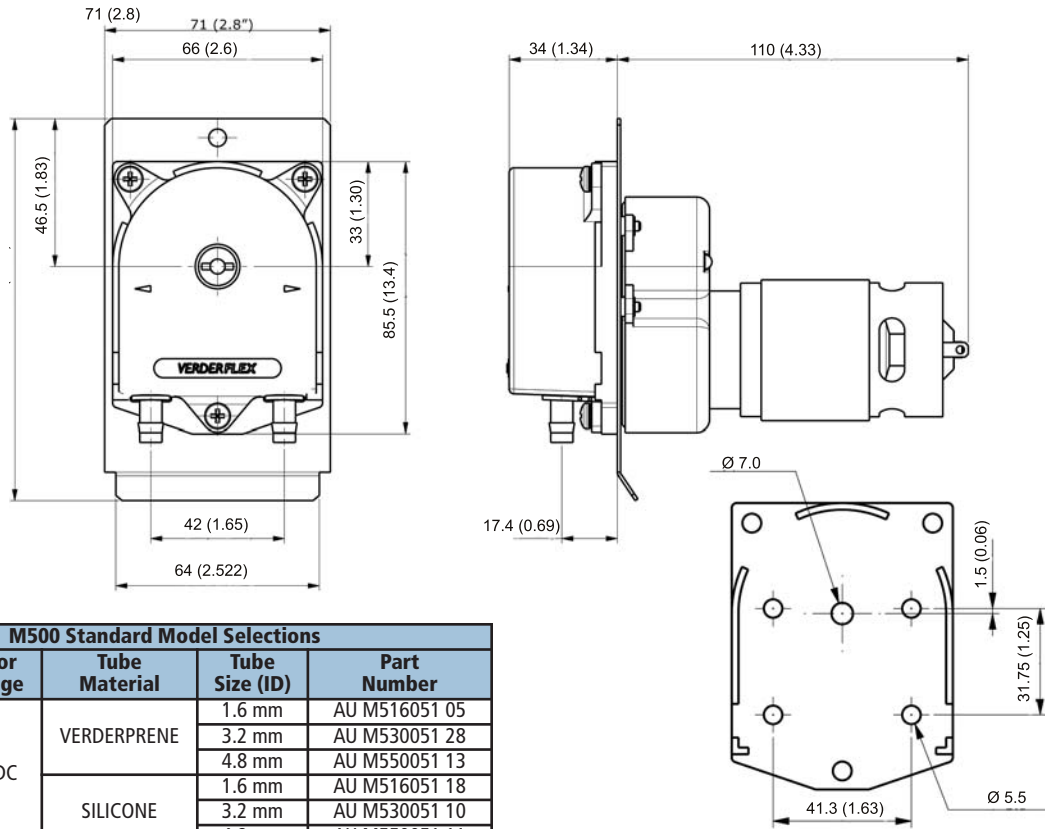
Options: 3-roller

Tube: Silicone, Verderprene®, call for other tubing;
Polypropylene tube connectors provided

Tube Sizes (I.D x Wall Thickness): 1.6 mm x 1.6 mm,
3.2 x 1.6 mm, 4.8 x 1.6 mm

Free Flow Curve**Suction****Discharge**

DIMENSIONS MM (INCHES)



M500 Standard Model Selections				
Speed (rpm)	Motor Voltage	Tube Material	Tube Size (ID)	Part Number
51	12V DC	VERDERPRENE	1.6 mm	AU M516051 05
			3.2 mm	AU M530051 28
			4.8 mm	AU M550051 13
		SILICONE	1.6 mm	AU M516051 18
	3.2 mm		AU M530051 10	
	4.8 mm		AU M550051 11	
	24V DC	VERDERPRENE	1.6 mm	AU M516051 19
			3.2 mm	AU M530051 21
4.8 mm			AU M550051 26	
SILICONE		1.6 mm	AU M516051 06	
	3.2 mm	AU M530051 05		
	4.8 mm	AU M550051 14		
82	12V DC	VERDERPRENE	1.6 mm	AU M516082 02
			3.2 mm	AU M530082 12
			4.8 mm	AU M550082 02
		SILICONE	3.2 mm	AU M530082 08
	4.8 mm		AU M550082 38	
	24V DC		VERDERPRENE	1.6 mm
		3.2 mm		AU M530082 09
		4.8 mm		AU M550082 10
SILICONE		3.2 mm	AU M530082 17	
	4.8 mm	AU M550082 68		
	125	12V DC	VERDERPRENE	3.2 mm
4.8 mm				AU M550125 52
SILICONE			3.2 mm	AU M530125 22
			4.8 mm	AU M550125 58
24V DC		VERDERPRENE	3.2 mm	AU M530125 11
			4.8 mm	AU M550125 05
		SILICONE	3.2 mm	AU M530125 05
			4.8 mm	AU M550125 06

M500 Standard Model Selections				
Speed (rpm)	Motor Voltage	Tube Material	Tube Size (ID)	Part Number
176	12V DC	VERDERPRENE	3.2 mm	AU M530176 01
		SILICONE	4.8 mm	AU M550176 02
	24V DC	VERDERPRENE	3.2 mm	AU M530176 03
			4.8 mm	AU M550176 04
		SILICONE	3.2 mm	AU M530176 10
			4.8 mm	AU M550176 30
240	12V DC	VERDERPRENE	4.8 mm	AU M550240 06
		SILICONE	4.8 mm	AU M550240 07
	24V DC	VERDERPRENE	4.8 mm	AU M550240 03
		SILICONE	4.8 mm	AU M550240 08
325	12V DC	VERDERPRENE	4.8 mm	AU M550325 07
		SILICONE	4.8 mm	AU M550325 17
	24V DC	VERDERPRENE	4.8 mm	AU M550325 13
		SILICONE	4.8 mm	AU M550325 18

Replacement Tubes Including Tube Connectors (1.6 mm Wall Thickness)			
Part Number	Tube Material	Tube I.D. (mm)	Hose Barb Connection
AU E0275 02	VERDERPRENE	1.6	4.2 mm
AU E0275 06	VERDERPRENE	3.2	4.2 mm
AU E0275	VERDERPRENE	4.8	7.0 mm
AU E0254 03	SILICONE	1.6	4.2 mm
AU E0254 05	SILICONE	3.2	4.2 mm
AU E0254	SILICONE	4.8	7.0 mm

Spare Parts	
Part Number	Description
AU E0240 02	M500 POLYCARBONATE HOUSING
AU E0241 04	M500 ROTOR ASSY FOR 1.6 ID TUBING
AU E0241 03	M500 ROTOR ASSY FOR 3.2 / 4.0 TUBING
AU E2358 ASSY 01	M500 3 ROLLER NYLON ROTOR ASSY
AU E0244 02	M500 STANDARD BACK PLATE
AU E0253 03	M500 LARGE BACK PLATE
AU E0322/A	M500 FAN (2" DIA)