



VVP45.15-2.5N, VVP45.20-4N



VVP45.25-6.3N

ACVATIX™

2-port valves PN 16

VVP45..N

- Bronze valve body (RoHS compliant)
- DN 15...25
- k_{vs} 2.5...6.3 m³/h
- Flat seal male threaded connections G...B to ISO 228-1 for
 - Sets of ALG.. screwed fittings with threaded connection (available from Siemens)
 - SERTO compression fittings, type SO 00021.. (available from suppliers to the trade)
- Manual adjuster
- Can be equipped with SSC.. electromotoric actuators

Use

In ventilation and air-conditioning systems for water-side terminal unit control in closed circuits, e.g. induction units, fan coil units, small reheaters and small re-coolers, for use in:

- 2-pipe systems with one heat exchanger for heating and cooling
- 4-pipe systems with two separate heat exchangers for heating and cooling

Type summary

Type reference	DN	Connection	k_{vs} [m ³ /h]	S_v
VVP45.15-2.5N	15	G 3/4B	2.5	> 50
VVP45.20-4N	20	G 1B	4.0	
VVP45.25-6.3N	25	G 1 1/4B	6.3	

DN = Nominal size

k_{vs} = Nominal flow rate of cold water (5...30 °C) through the fully open valve (H_{100}) by a differential pressure of 100 kPa (1 bar)

S_v = Rangeability k_{vs} / k_{vr}

k_{vr} = Smallest k_v value, at which the flow characteristic tolerances can still be maintained, by a differential pressure of 100 kPa (1 bar)

Accessories

Type reference	Stock no.	Description
ALG..2	ALG..2	Set of 2 fittings with threaded connections for 2-port valves, consisting of 2 union nuts, 2 discs and 2 flat seals. ALG..2B are brass fittings, for medium temperatures up to 100 °C.
ALG..2B	S55846-Z1..	

Ordering

Product number	Stock no.	description	Quantity
VVP45.20-4N	VVP45.20-4N	2-port valve PN 16, externally threaded	3
ALG152B	S55846-Z100	Set of 2 fittings, brass	3

delivery Valves, actuators and accessories are packed and supplied separately.

Rev. Nr.

See overview, page 7.

Equipment combinations

Valves	Actuators SSC..		Set of fittings			
	Δp_{max} [kPa]	Δp_s [kPa]	Externally threaded		Internally threaded	
			Type reference / stock no. Malleable cast iron	Type reference Stock no. Brass ¹⁾	Type reference / stock no. Brass	
VVP45.15-2.5N	400	550				ALG142
VVP45.20-4N			ALG152	ALG152B	S55846-Z100	
VVP45.25-6.3N		500	ALG202	ALG202B	S55846-Z102	

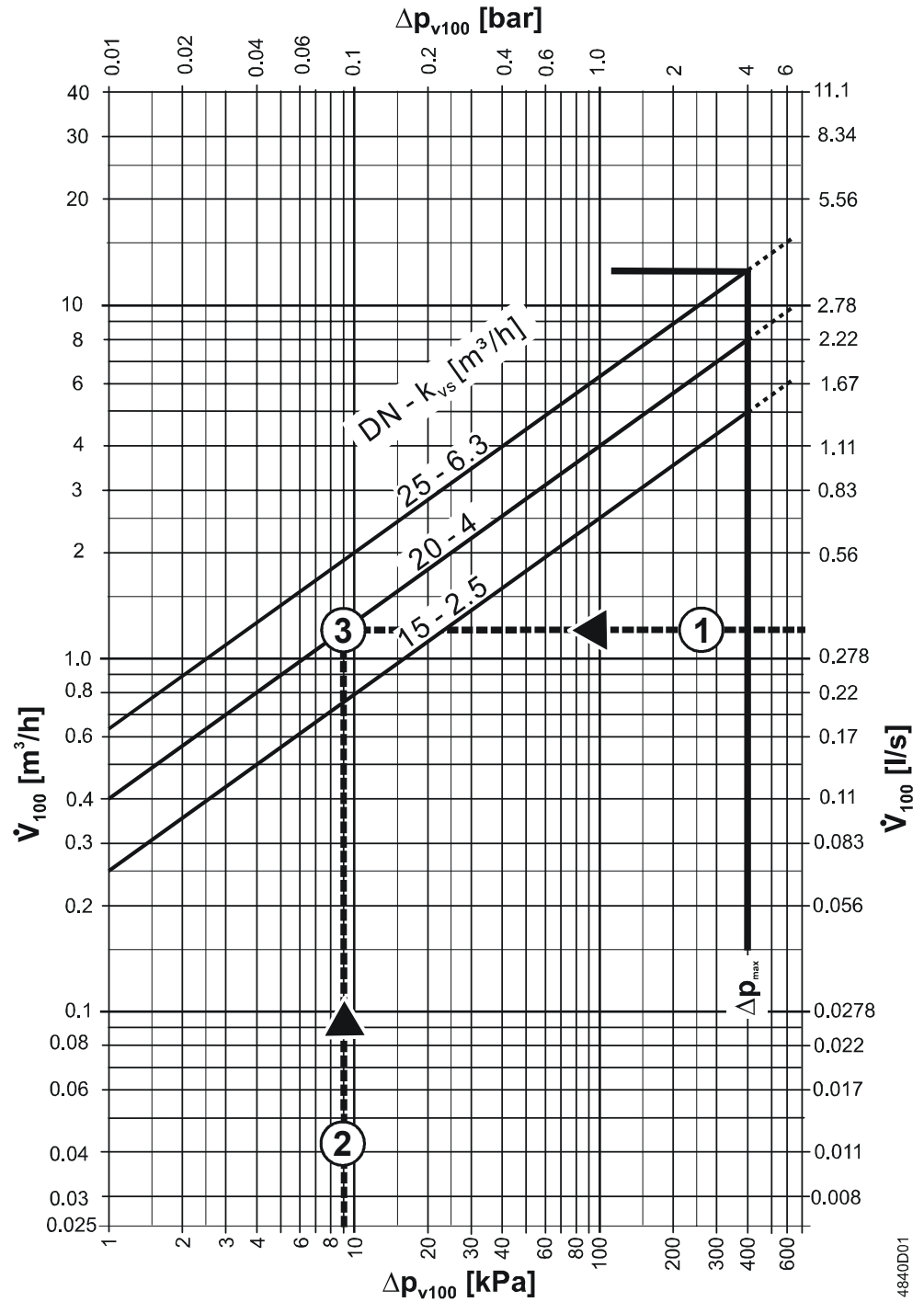
Δp_{max} = Maximum permissible differential pressure across valve's control path, valid for the entire actuating range of the motorized valve.

Δp_s = Maximum permissible differential pressure at which the motorized valve will close securely against the pressure (close off pressure).

¹⁾ Usable up to maximum medium temperature of 100 °C

Actuator overview

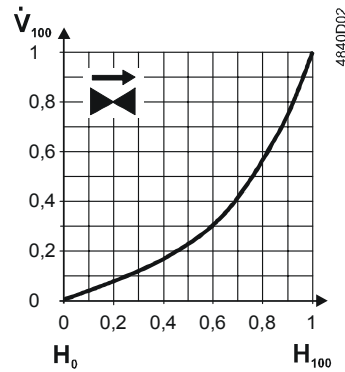
Actuator	Operating voltage	Positioning signal	Positioning time	Positioning force	Remarks	Data sheet
SSC31	AC 230 V	3-position	150 s	300 N	With fail-safe function (30 s)	N4895
SSC81	AC 24 V					
SSC61	AC / DC 24 V	DC 0...10 V	30 s			
SSC61.5						



Δp_{max} = Maximum permissible differential pressure across the valve's control path, valid for the entire actuating range of the motorized valve
 Δp_{v100} = Differential pressure across the fully open valve and the valve's control path by a volume flow \dot{V}_{100}
 \dot{V}_{100} = Volume flow through the fully opened valve (H_{100})
 100 kPa = 1 bar \approx 10 mWC
 1 m³/h = 0,278 l/s water at 20 °C

Example:
 ① $\dot{V}_{100} = 0.34$ l/s
 ② $\Delta p_{v100} = 9$ kPa
 ③ k_{vs} value = 4 m³/h

Valve flow characteristic



0...30 % → linear
 30...100 % → equal percentage
 $n_{gl} = 2,2$ to VDI / VDE 2173

Engineering notes

Valve construction	Flow in control mode		Stem		
		Inlet A: Variable	Outlet AB: Variable	Retracts A → AB Opens	Extends A → AB Closes

Warning! The direction of flow must be as indicated by the arrow **A → AB**.

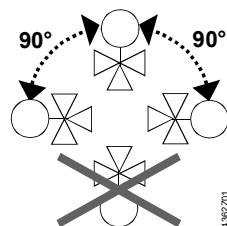
We recommend installation in the return pipe, as the temperatures in this pipe are lower for applications in heating systems, which in turn, extends the stem sealing gland's life.

Recommendation: Always use a strainer upstream of the valve to increase the valve's functional safety.

Mounting notes

Both valve and actuator can easily be assembled at the mounting location. Neither special tools nor adjustments are required.
 The valve is supplied with mounting instructions 4 319 9526 0.

Orientation



Commissioning notes



Commission the valve only if the manual knob or actuator has been mounted correctly.

Manual adjustment

The straight-through path **A → AB** can be opened electrically via the actuator, or manually.
 Manually, path **A → AB** can only be opened to 70 %.
 The valves are closed by a return spring.

Warning

VVP45..N valves require no maintenance.

When doing service work on the valve / actuator:

- Deactivate the pump and turn off the power supply
- Close the shutoff valves
- Fully reduce the pressure in the piping system and allow pipes to completely cool down

If necessary, disconnect the electrical wires.

Before putting the valve into operation again, make sure the manual knob or the actuator is correctly fitted.

Stem sealing gland

The stem sealing gland cannot be exchanged. In the case of leakage, the entire valve must be replaced. Contact your local office or branch.

Disposal



Before disposal the valve must be dismantled and separated into its various constituent materials.

Legislation may demand special handling of certain components, or it may be sensible from an ecological point of view.

Current local legislation must be observed.

Warranty

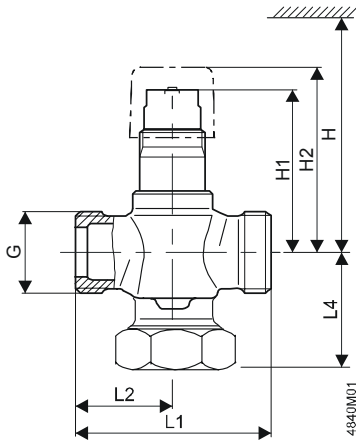
The technical data given for these applications is valid only in conjunction with the Siemens actuators as detailed under "Equipment combinations".

All terms of the warranty will be invalidated by the use of actuators from other manufacturers.

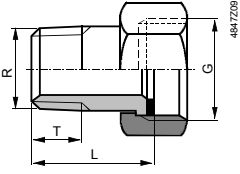
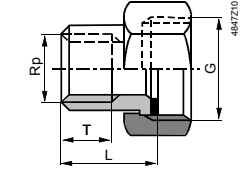

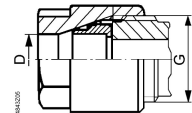
Technical data

Functional data	PN class	PN16 to EN 1333	
	Permissible operating pressure	1600 kPa (16 bar) to ISO 7628 / EN 1333	
	Valve flow characteristic	Equal-percentage; $n_{ql} = 2,2$ to VDI / VDE 2173	
	Leakage rate	0...0.1 % of k_{vS} value (to DIN EN 1349)	
	Permissible media	Low temperature hot water, chilled water, water with anti-freeze. Recommendation: water treatment to VDI 2035	
	Medium temperature	1...110 °C, short-term max. 120 °C	
	Rangeability S_v	> 50	
	Nominal stroke	5.5 mm	
	Standards	Pressure Equipment Directive	PED 97/23/EC
		Pressure Accessories	as per article 1, section 2.1.4
Fluid group 2		without CE-marking as per article 3, section 3 (sound engineering practice)	
Environmental compatibility		ISO 14001 (Environment) ISO 9001 (Quality) SN 36350 (Environmentally compatible products) RL 2002/95/EG (RoHS)	
Materials		Valve body	Bronze (RoHS compliant) CC499K
	Stem	CrNi steel	
	Plug, seat, gland	Brass	
	Sealing gland	EPDM O-rings	
	Blank fitting bypass	VVP45.25-6.3N: Blank disk: stainless steel Union nut: Malleable cast iron	
Dimensions / Weight	Dimensions	Refer to "Dimensions"	
	Threaded connections	valve G...B to ISO 228-1 fittings R/Rp... to ISO 7-1, G... to ISO 228-1	
	Actuator connection	G 3/4"	
	Weight	Refer to "Dimensions"	

Dimensions



Type reference	DN	G [Inch]	H [mm]	H1 [mm]	H2 [mm]	L1 [mm]	L2 [mm]	L4 [mm]	Weight [kg]
VVP45.15-2.5N	15	G ¾B	> 280	62	≈ 71	65	32,5	20	0,30
VVP45.20-4N	20	G 1B		66	≈ 75	80	40	24	0,42
VVP45.25-6.3N	25	G 1¼B		68	≈ 77	80	40	49	0,76

Sets of screwed fittings with flat seal (available from Siemens) ALG..2, ALG..2B: Set of 2 screwed fittings	ALG142		pipe side with externally R threads	
	ALG152 ALG202	ALG152B ALG202B	pipe side with internally Rp threads	
Compression fittings (available from suppliers to the trade)		SERTO SO 00021..		

Type reference ALG..		For valve type	DN	G [Inch]	R [Inch]	Rp [Inch]	L [mm]	T [mm]	Type SERTO SO 00021.. ²⁾	D [mm]
Malleable cast iron	Brass								www.serto.com	
	ALG142	VVP45.15-2.5	15	G ¾	R ½		≈ 29,5	≈ 12	SO 00021-17-3/4"	17
									SO 00021-18-3/4"	18
ALG152	ALG152B ¹⁾	VVP45.20-4	20	G 1		Rp ½	≈ 23	≈ 13		
ALG202	ALG202B ¹⁾	VVP45.25-6.3	25	G 1¼		Rp ¾	≈ 25	≈ 15		

¹⁾ Usable up to maximum medium temperature of 100 °C

²⁾ SO 00021-17.. and SO 00021-18 on request (suppliers of the trade)

- On valve side: cylindrical thread to ISO 228-1
- On pipe side: with cylindrical thread to ISO 7-1
- ALG..B for medium temperatures up to 100 °C

Spare parts

Type reference	Stock no.	Description	Quantity
74 6760 273 0	74 6760 273 0	Manual knob for short stroke valves	10

Revision numbers

Type reference	Valid from rev. no.	Type reference	Valid from rev. no.	Type reference	Valid from rev. no.
VVP45.15-2.5N	01	VVP45.20-4N	01	VVP45.25-6.3N	01

