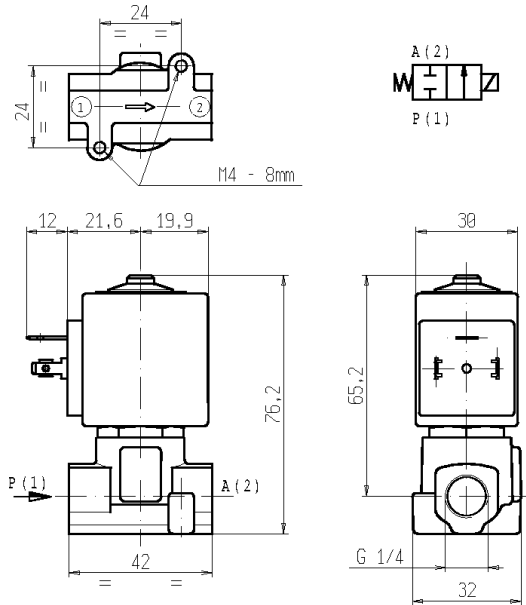




SOLENOID VALVE
2/2 - NC (Normally closed)
Direct acting
G 1/4

L121C01-D04



► **GENERAL FEATURES**

Direct acting solenoid valve.
 Suitable to shut off liquid and gaseous fluids; particularly suitable to shut off overheated water and steam (verify the compatibility of fluid with materials in contact).

► **TECHNICAL FEATURES**

Maximum allowable pressure (PS)	40 bar
Opening time	~20ms
Closing time	~20ms
Fluid temperature	-10°C +170°C (Ruby) -10°C +140°C (EPDM)
Max viscosity	5°E (~37 cStokes or mm ² /s)

► **MATERIALS IN CONTACT WITH FLUID**

Body	Brass
Sealing	RUBY or EPDM
Internal components	Stainless steel
Seat	Stainless steel
Guide assembly	Stainless steel
Shading ring	Copper

► **COIL**

According to standards	VDE
Continuous duty	ED 100%
Encapsulation material	PET (polyethylene terephthalate) glass fibre reinforced
Coil insulation class	F (155 °C) on request class H (180°C) - UL
Ambient temperature	-10 C° +50 °C
Electric connenctions	DIN 46340- 3 poles connectors (DIN 43650)
Protection degree	IP 65 (EN 60529) with plug connector
Voltages	DC 12-24V (+10% -5%) AC ZA30A: 24V/50Hz - 110V/50Hz (120V/60Hz) - 230V/50Hz (+10% -15%) (Other voltages and frequencies on request).

Port size ISO 228	Orifice size (mm)	Differential pressure (bar)				Kv (m ³ /h)	Series and type		Power absorption			Sealings	Notes	Weight (kg)	
		Δp min	Δp max				Valve	Coil	AC (VA)		DC (W)				
			AC	DC	AC				DC	Inrush					Holding
G 1/4	2,3	0	20	10	20	10	L121C01	ZA30A	23	14	9	RUBY	1-2-3-5-6-7	0,300	
	3,2		17	5	17	5		ZA30E	-	-	12		1-2-3-5-6		
			-	7	-	7		ZA30A	23	14	9		1-2-3-5-6		
	4,5		8	3	8	2,5		ZA30E	-	-	12		1-2-3-5		
	3,2		12	4	12	4	L121D04	ZA30A	23	14	9	EPDM	4-5-6		
			-	7	-	7		ZA30E	-	-	12		4-5		
			4,5	1	4,5	1		ZA30A	23	14	9		4-5-7		
			-	2	-	2		ZA30E	-	-	12				

► **NOTES**

- Sealings : RUBY=Synthetic corundum EPDM = Ethylene-propylene elastomer
- 1 - The use of rigid sealings (RUBY) with gaseous fluids implies a slight leakage, generally limited with in 2 scc/min at 1 bar pressure.
- 2 - Gasket between core armature and body in FPM (Fluoro-carbon elastomer).
- 3 - Only for use with steam, consider following values: PSmax 8 bar (max temperature of fluid 170°).
- 4 - Only for use with steam, consider following values: PSmax 4 bar (max temperature of fluid 140°).
- 5 - On request coils ZA34A – ZA34E (PPS – Polyphenylene-sulfide), "H" class (+180°C), max ambient temperature 80°C, UL approval.
- 6 - On request special coil ZA32A, class "F", with UL or VDE homologated windings - see overleaf.
- 7 - Model available on request only: ask for minimum quantity.

L121C01-D04

► SPECIAL COIL ZA32A

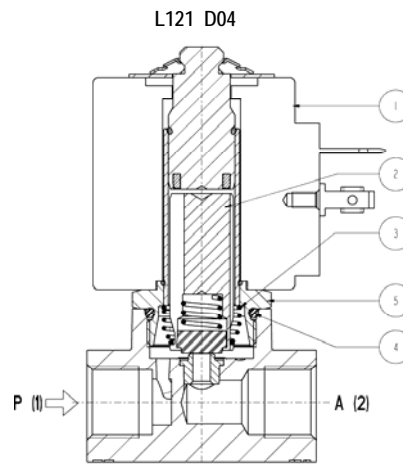
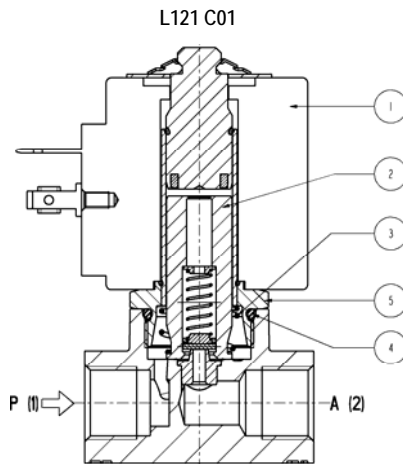
<i>Continuous duty</i>	ED 100%	<i>Ambient temperature</i>	DIN 46340- 3 poles connectors (DIN 43650)
<i>Encapsulation material</i>	PET (polyethylene terephthalate) fiberglass reinforced	<i>Electric connenctions</i>	IP 65 (EN 60529) with plug connector
<i>Coil insulation class</i>	F (155 °C)	<i>Voltages</i>	AC 24V/50-60Hz (VDE) • 100V/50-60Hz • 115-120V/60Hz (UL) • 200V/50-60Hz • 220-230V/50Hz - 208-240V/60Hz (UL) • 220-240V/50Hz (VDE) • (+10% -15%)
<i>Ambient temperature</i>	-10 °C +50 °C		

Port size ISO 228	Orifice size (mm)	Differential pressure (bar)				Kv (m³/h)	Series and type		Power absorption			Sealings	Notes	Weight (kg)
		Δp min	Δp max				Valve	Inrush	Holding	DC (W)				
			Gases		Liquids									
			AC	DC	AC						DC			
G 1/4	2,3	0	20	-	20	-	L121C01	ZA32A	23	14	-	RUBY	1-2-3-5	0,300
	3,2		12,5	-	12,5	-							1-2-3	
	4,5		5	-	5	-								
	3,2		9	-	9	-							EPDM	
						L121D04								

► NOTES

- Sealings : RUBY=Synthetic corundum EPDM = Ethylene-propylene elastomer
- 1 - The use of rigid sealings (RUBY) with gaseous fluids implies a slight leakage, generally limited with in 2 scc/min at 1 bar pressure.
- 2 - Gasket between core armature and body in FPM (Fluoro-carbon elastomer).
- 3 - Only for use with steam, consider following values: PSmax 8 bar (max temperature of fluid 170°).
- 4 - Only for use with steam, consider following values: PSmax 4 bar (max temperature of fluid 140°).
- 5 - Model available on request only: ask for minimum quantity.

► SPARE PARTS



Kit description

Core kit

L121C01	Ø 2,3
	Ø 3,2
	Ø 4,5
L121D04	Ø 3,2
	Ø 4,8

Kit P.N.

G3008801
G3008802
G3022807
G3022808

Consisting of:

Core (with core return spring) pos. 2
OR guide assembly pos. 4

Core return spring kit

L121C01	Ø 2,3
	Ø 3,2
	Ø 4,5
L121D04	Ø 3,2
	Ø 4,8

G3018901
G3022401
G3022401
G3018901

N.10 core return spring pos. 3

OR guide assembly kit

L121C01
L121D04

GU2424000017
GU2446000017

N.10 OR guide assembly pos. 4

Guide pipe assembly

3008301R

Guide pipe assembly pos. 5

Coil

ZA30A
ZA30E
ZA32A

Coil pos. 1

► MOUNTING

Solenoid valve can be mounted in any position; vertical with coil upwards preferred.