



RCU50



RCU50.1



RCU50.2

### RCU50...

CAV VAV

(Modulating P-control)

/ DC 0...10 V  
 / (RCU50 RCU50.1)  
 / (RCU50.2)  
 : , , (RCU50 RCU50.1)  
 : (RCU50.2)  
 (RCU50.1)  
 0 ~ 10V (RCU50 RCU50.1)  
 (RCU50 RCU50.1)  
 - 가 (RCU50 RCU50.1)  
 : AC 24 V

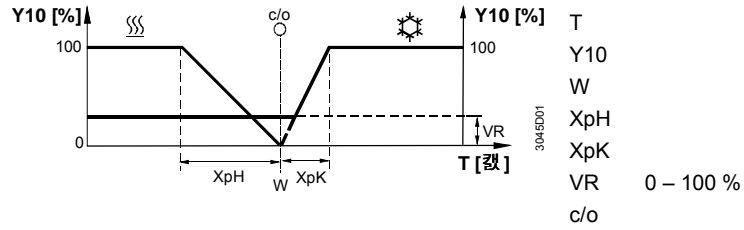
가 /  
 RCU50... 가 (VAV) GLB181.1E / 3  
 GDB181.1E / 3 가 (VAV)

- 가 (VAV)
- 
-

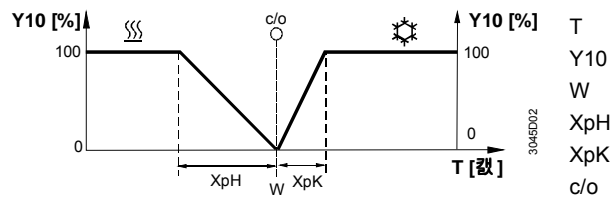
, 0...10 V

RCU50.1, DIP 4 2 K  
 RCU50.2 4 가 ) RCU50.2 4 K  
 RCU50... 0.5 K 2 K  
 (RCU50 1 K

“ / ”  
 RCU50 RCU50.1



“ / ”  
 RCU50.2



(RCU50 RCU50.1)

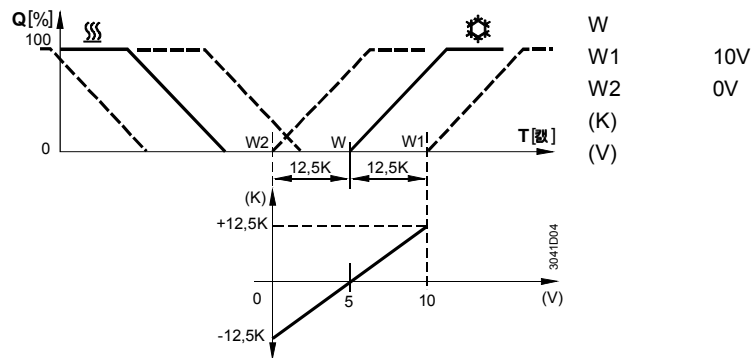
0~100%  
 .. VAV

(RCU50.2)

RCU50.2 DIP 1  
 0%, 10 V 100 %  
 가 On 0V  
 가 Off 0 V 100 %, 10V 0%

(RCU50 RCU50.1)

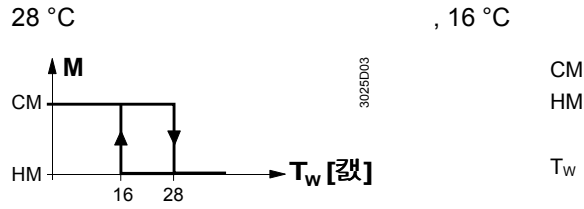
B1-M  
 +/- 12.5 K 5V . 0...10 V



(QAH11.1 + ARG86.3)

(RCU50 RCU50.1)

가



1K

“☀” (RCU 50.1)

(RCU50 RCU50.1)

- “☀” (RCU50.1)
- DIP 1 Off

가 8 °C  
가 8 °C

- “☾” (RCU50.1)
- DIP 1 On

28 °C , 16 °C

(RCU50 RCU50.1)

- DIP 1 D1-GND 가 ( , ),
- DIP 1 On/Off
- N.O. N.C.

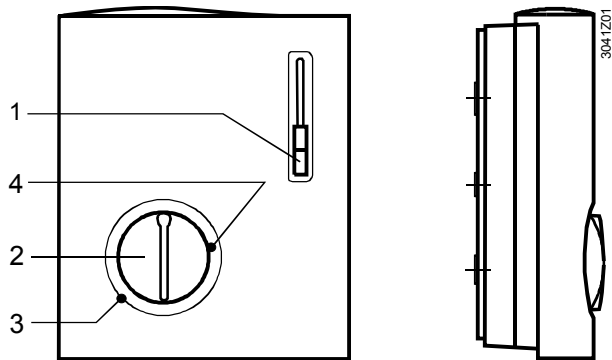
RCU50  
RCU50.1  
RCU50.2

/

) RCU50.  
, VAV

		Data Sheet
	<b>QAH11.1</b>	1840
	<b>ARG86.3</b>	1840
VAV	<b>GDB181.1E/3</b> <b>GLB181.1E/3</b>	3544
	<b>SSB61</b>	4891
	<b>SQS65</b>	4573
	<b>GDB161.1E</b> <b>GLB161.1E</b> <b>GCA161.1E</b> <b>GBB161.1E</b> <b>GIB161.1E</b>	4634 4637 4636 4635

- (Mounting base)  
Snaps on  
, DIP



- 1 (RCU50.1)  
( )  
/ (RCU50.2)  
( , Off, )  
2 knob  
3  
( : 1 Kelvin)  
4 ( : 1 Kelvin)

**RCU50 RCU50.1 DIP**

DIP		On	Off
1			1)
2		가 (N.O.) <sup>1)</sup>	가 (N.C.)
3		Off	(8 °C On )
4	(P-band)	1 K <sup>1)</sup> 0.5 K <sup>1)</sup>	4 K 2 K
5		Active	Inactive <sup>1)</sup>

1)

**RCU50.2 DIP**

DIP		On	Off
1	DC 0...10 V	DC 0...10 V <sup>1)</sup>	DC 10...0 V

1)

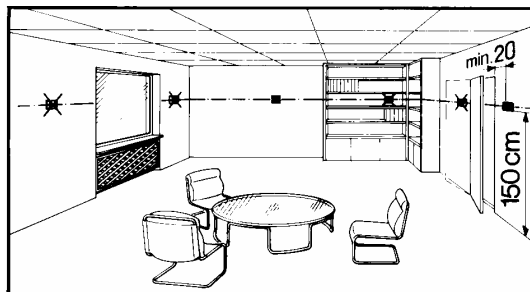
4" x 4"	120 x 120 mm	ARG70
2" x 4"	96 x 120 mm	ARG70.1

DIP (RCU50/RCU50.1)


가 3

가

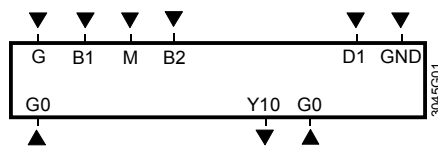
1.5 m



	AC 24 V ± 20 %
	50/60 Hz
	6 VA
	8...30 °C
25 °C	±0.7 K
RCU50/RCU50.1 ( 가 ) RCU50.2 ( )	1 K or 4 K 4 K
RCU50/RCU50.1 ( 가 ) RCU50.2 ( )	0.5 K or 2 K 2 K
« C »	16 °C
« C »	28 °C
	8 °C
	±12.5 K
Y10	DC 0...10 V ± 1 mA
D1 GND (RCU50/50.1) Contact sensing	DC 6-15 V / 3-6 mA
B1 (RCU50/50.1) 12.5 K Neutral position (no setpoint shift)	DC 0...10 V DC 5 V
B2	QAH11.1, safety class II NTC 3 kΩ at 25°C
1.5 mm <sup>2</sup> B1 / B2 (RCU50 / 50.1) D1 (RCU50 / 50.1)	80 m 80 m
	to IEC 721-3-3 class 3K5 0...+50 °C <95 % r.h.

	to IEC 721-3-2 class 2K3 -25...+70 °C <95 % r.h. class 2M2
	to IEC 721-3-1 class 1K3 -25...+70 °C <95 % r.h.
CE conformity to EMC directive	89/336/EEC
 N474	
EMC emission standard to C-Tick	AS/NSZ 4251.1:1994
Electromagnetic compatibility	
Emission	EN 50 081-1
Immunity	EN 50 082-1
Safety class	III to EN 60 730
Pollution class	Normal
	IP30 to EN 60 529
	2 x 0.4-1.5 mm <sup>2</sup> or 1 x 2.5 mm <sup>2</sup>
RCU50	0.22 kg
RCU50.1	0.23 kg
RCU50.2	0.23 kg
	, NCSS0502-G (RAL9003)

**RCU50 RCU50.1**



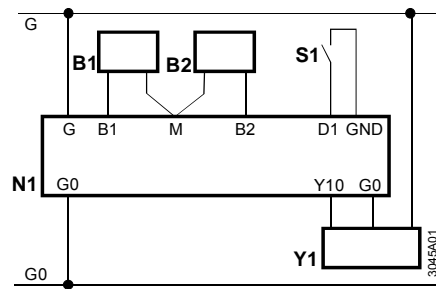
G, G0	AC 24 V
B1	" " " "
B2	" " " "
M	" " " "
D1,GND	" " " "
Y10	DC 0...10 V

**RCU50.2**



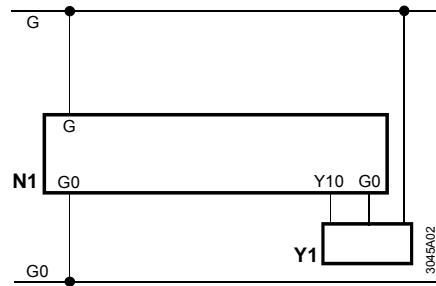
G, G0	AC 24 V
Y10/G0	DC 0...10 V

RCU50 RCU50.1

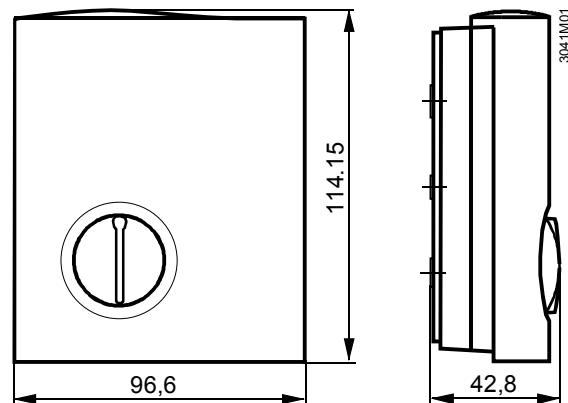


N1  
S1  
B1 ( )  
B2 /  
Y1 VAV/CAV

RCU50.2



N1  
Y1 VAV/CAV



(Baseplate)

