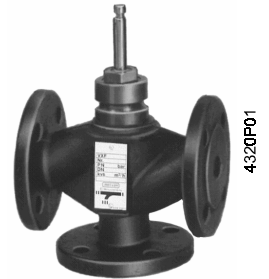


3

, PN10

VXF31



-
- 3 , PN10
 - 가
 - : Grey cast iron GG-25
 - : DN25...150 mm
 - (k_{vs}) : 5...300 m³/h
 - : 20 40 mm
 - 가 : SQX..., SKD..., SKB..., SKC...

(Use)

(Media)

<p>()</p> <p>()</p> <p>(50%)^{1) 2)}</p>	<p>-25 ... +130 °C</p>
---	------------------------

1) 0 °C : 가 (ASZ6.5)가

2) : -10 °C DIN 3158 (stress case I)
 -25 °C DIN 3158 (stress case II)

(Type summary)

	DN [mm]	k _{vs} [m ³ /h]	S _v	Δp _{vmax.}		
				kPa	kPa	
VXF31.24	25/20	5	> 50	100	100	
VXF31.25	25	7.5				
VXF31.39	40/32	12				
VXF31.40	40	19	> 100			70
VXF31.50	50	31				
VXF31.65	65	49				
VXF31.80	80	78				
VXF31.90	100	124				
VXF31.91	125	200				
VXF31.92	150	300				60
				50		

DN =
 k_{vs} = (VDI 2173)
 S_v = Rangeability (VDI 2173)

Δp_{vmax.} =
 (II-I = , I-II =)

가 0 °C 가 (AC24V) . **ASZ6.5**

(Accessories)

(Ordering)

) VXF31.50

(Delivery)

가

(Equipment combinations)

	H ₁₀₀ [mm]	1)							
		SQX... ²⁾		SKD...		SKB...		SKC...	
		Δp _{max} [kPa]							
VXF31.24	20	100	100	100	100	100	100	100	100
VXF31.25									
VXF31.39									
VXF31.40									
VXF31.49									
VXF31.50									
VXF31.65	80	60	80	60	70				
VXF31.80	60	40	80	40	70				
VXF31.90	40							100	70
VXF31.91								100	60
VXF31.92								100	50
Data sheet		4554		4561		4564			

1) 가 : • AC 24 V / AC 230 V (3-position)
 • AC 24 V (: DC 0...10 V DC 4...20 mA)

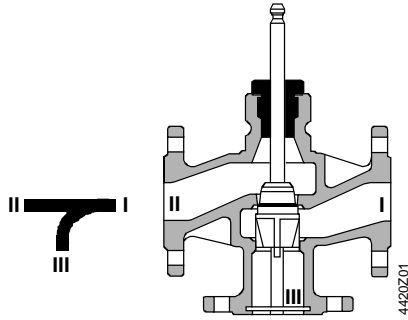
2) Δp_{max} Δp 99 1 (SQX32... / SQX82... / SQX62)

H₁₀₀ = 100 %
 Δp_{max} =
 Δp_s = 가 (closing pressure)

가

(Pneumatic actuators)

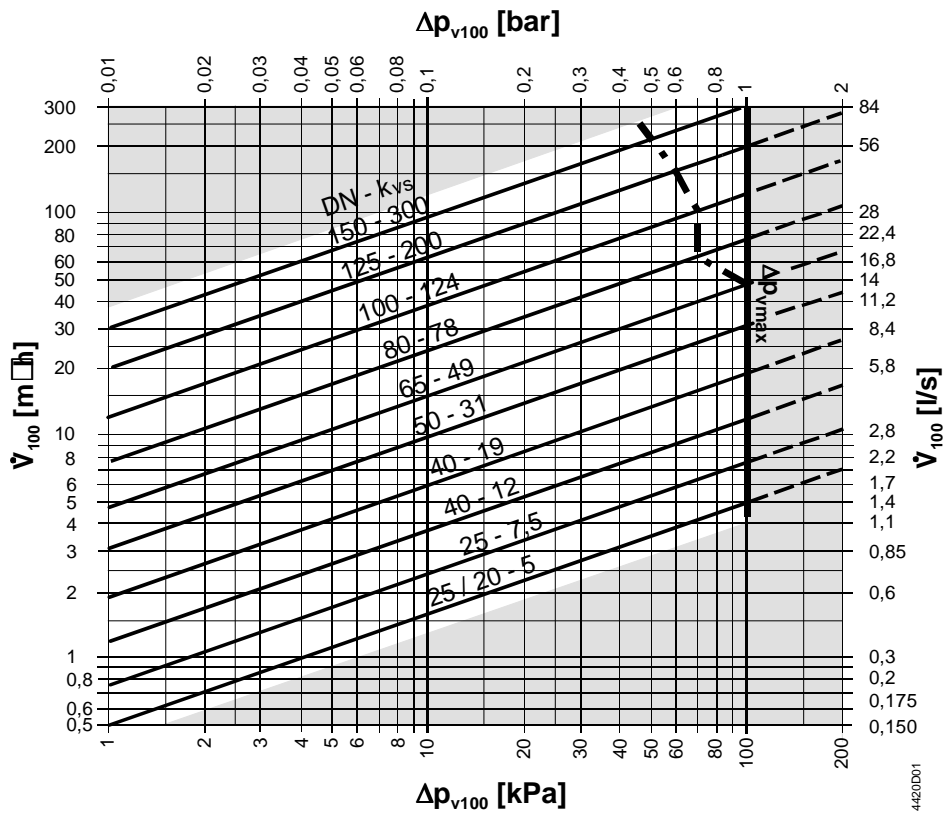
(Valve cross-section)



(Disposal)

(Sizing)

(Flow diagram)



100 kPa = 1 bar ≈ 10 mWG

1 m³/h = 20 °C 0.278 kg/s

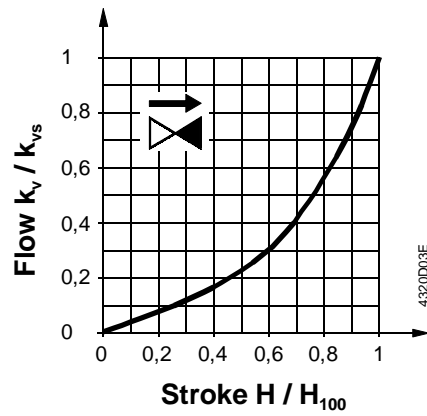
— = Δpvmax. = (II- I)

- - - = Δpvmax. = (II- I)

Δpv100 = 가 100% . (kPa, bar)
(II-I = , I-II =)

V100 = m³/h

(Valve flow characteristic)

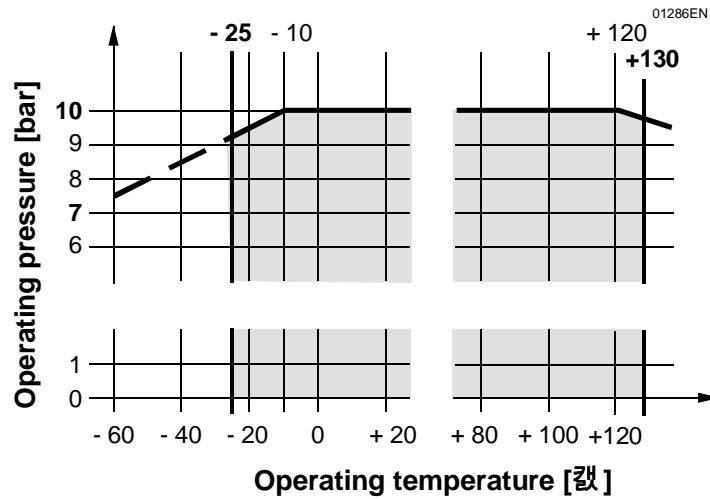


Through - port
 0... 30 % : (linear)
 30...100 % : $n_{gl} = 3$ (VDI / VDE 2173)
 Bypass
 0...100 %: (linear)

:	II	III	I
:	I	II	III

I = constant flow
 II = variable flow
 III = bypass (variable flow)

(Operating pressure and temperature)



-25 ... +130 °C (DIN 4747 DIN 3158) ISO
 7268 EN 1333 .

(Notes)

(Engineering)

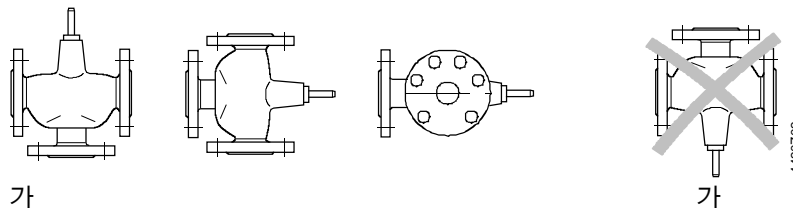
: VDI 2035



가 0 °C
 가
 (ASZ6.5 : AC 24 V / 30 W)

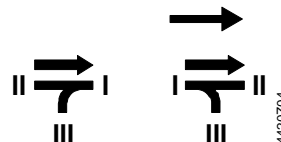
(Mounting)

(Mounting positions)



(Direction of flow)

: II / III I
 : I to II / III

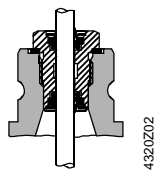


(Commissioning) ⚠ () 가 .
 : ,
 : ,

(Service) ⚠ 가 .

(Stem sealing gland) 가 가 , 가

(Spare parts)



-25 ... +130 °C - (,) -
 가 (EPDM-O-ring)
 VVF31... DN25 ... 80 (10 mm) **4 284 8806 0**
 VVF31... DN100 ... 150 (14 mm) **4 679 5629 0**

(Standard version)

(Warranty)

“ ” ()
 “ ” $\Delta p_{max}, \Delta p_s$, , “
SIEMENS

(Technical data)

(Function data)

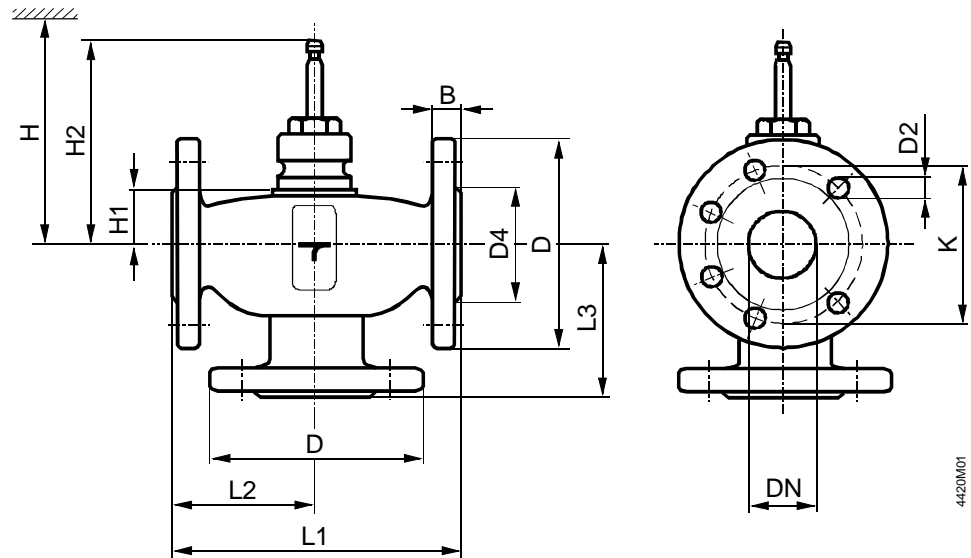
PN class PN10
 Through-port
 0 ... 30 % (linear)
 30 ... 100 % $n_{gl} = 3$ (VDI / VDE 2173)
 (Bypass)
 0... 100%
 $k_{vs} = 0 \dots 0.02 \%$ (VDE / VDI 2173)
 1000 kPa (10 bar), ISO 7268 / EN 1333
 -25 ... +130 °C DIN 4747 / DIN 3158
 ISO 7005
 - DN25 ... 80 20 mm
 - DN100 ... 150 40 mm
 GG-25 (DIN EN 1561)

(Materials)

DN25...65
 DN80...150
 brass
 EPDM-O ring

: mm

(Dimensions)



4420M01

DN [mm]	B	D dia.	D2 dia.	D4 dia.	H1	H2	K	L1	L2	L3	[kg]
25	16	115	14 (4x)	65	34	130.5	85	160	80	80	4.6
40	18	150	19 (4x)	84	39	135.5	110	200	100	100	8.0
50	20	165		99	60	156.5	125	230	115	115	11.7
65	22	185	19 (8x)	118	93	209.5	145	290	145	145	14.7
80		200		132			160	310	155	155	18.8
100	24	220	23 (8x)	156	104	220.5	180	350	175	175	29.0
125	26	250		184	104	220.5	210	400	200	200	42.0
150		285		211	120	236.5	240	480	240	240	61.0

DN [mm]	SQX...	SKD...	H SKB...	SKC...	DN =	H =
25	> 459	> 534	> 609			
40	> 464	> 539	> 614			
50						
65	> 485	> 560	> 635		H1 =	
80						
100				> 666		
125				> 677	H2 =	가
150				> 693		()

: mm

© 2003 Siemens Building Technologies Ltd.