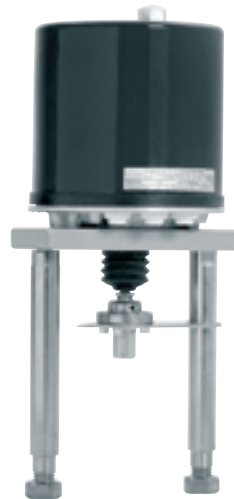


SHE-SERIES



Electrical stroke actuator

Shut off force
– 0,6 to 25 kN

Strokes
– 10 to 100 mm

Motor voltages
– 24 V/50 Hz to 400 V/50 Hz

Table of contents:

■ Special features	1
■ Technical data	2–3
■ Construction and special features	3
■ Dimensions and weights	4

Available on request:

■ Type key	SHE5
■ Operating and maintenance instructions	SHE7

Features

Solid construction

Mounting position from horizontal to vertical

Power switch with permanent contact

Additional power or limit switches

Manual operation

Stroke up to 100 mm

Position electronics

Can be provided as half-turn actuator

Advantages

■ Space saving mounting

■ Flexible mounting possibilities

■ Highly safe operating conditions

■ Flexible settings

■ Highly safe operating conditions

■ Variable application possibilities

■ Integrated positioner

■ Multifunctional

Applications

- Mounting on valves, butterfly valves, slides
- For use in industrial plants, as well as heating, ventilation and air conditioning systems
- For on-off and control operation
- For two-position, three-position and analogue control

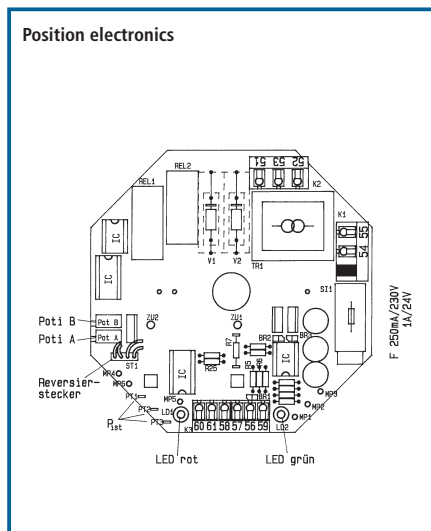
Characteristics

- Connection according to DIN 3358-F05, DIN 3210-BO and pillars, DIN ISO 5211
- Force 0,6 to 25 kN
- Protection class IP 65
- Ambient temperature limit -20°C to $+60^{\circ}\text{C}$
- Standard motor voltage 230 V/50 Hz
- 2 standard built in power switches
- 1 limit switch for 2,0 to 25 kN

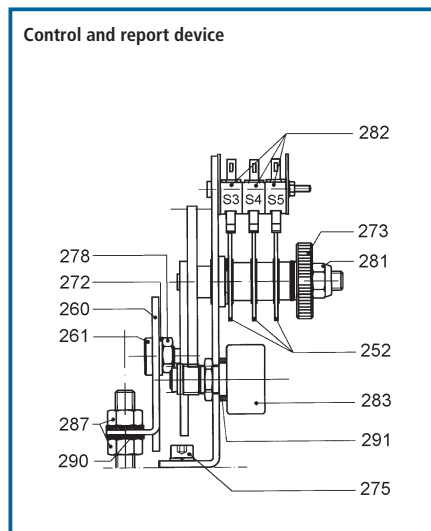
Technical data

Type	0,6	0,9	1,2	1,2	2	2	4,5	6
Shut off force (kN)	0,6	0,9	1,2	1,2	2	2	4,5	6
Positioning time (s/min)	7,5	5,7	3,5	2,4	4	1,2	3,5	4,4
mm/min	8/10/17		25/15		50	17	13,3	
Stroke min (mm)	20/10		16		35/16			
Stroke max (mm)	35		75		75			
Operating type	S1–100% ED / S4–30% ED 600 c/h						S4–30% ED–600 c/h	
Normal motor voltage	230 V/50 Hz; 400 V/50 Hz							
Power input (W) at 1–230 V/50 Hz	4,9	4,9	6,6	6,6	6,6	32	28	32
Number of power switches	2							
Contact rating	250 V~, 5 A							
Protection class	IP 65							
Ambient temperature	$-20 \dots +60^{\circ}\text{C}$							
Accessories								
Number of limit switches	2 limit switches (WE-S3 and WE-S6 resp. WE-S3 and WE-S4)							
Additional contact rating	250 V~, 5 A							
Potentiometer number	1		2					
Ohm value	100 Ω , 200 Ω , 500 Ω , 1 k- Ω , 2 k- Ω , 5 k- Ω , 10 k- Ω , additional on request							
Position feedback electronic	possible via position electronics (no galvanical isolation)							
Thermal resistor	24/110/230 V DC/AC, 15 W							
Other motor voltages	24 V/50 Hz; 110 V/60 Hz; 400 V/50 Hz 3~24 V DC							
Control and report device	Required when additional limit switch or potentiometer							

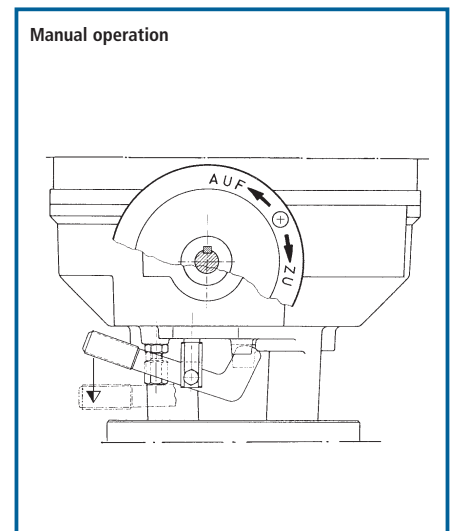
Construction



Position electronics allow controlling and positioning of actuators such as linear, part-turn and multiturn actuators.



- Slitted levers
- Stroke-dependent switch
- Knurled nut
- Cam disc
- Potentiometer for position indicator
- Auxiliary scale for stroke setting

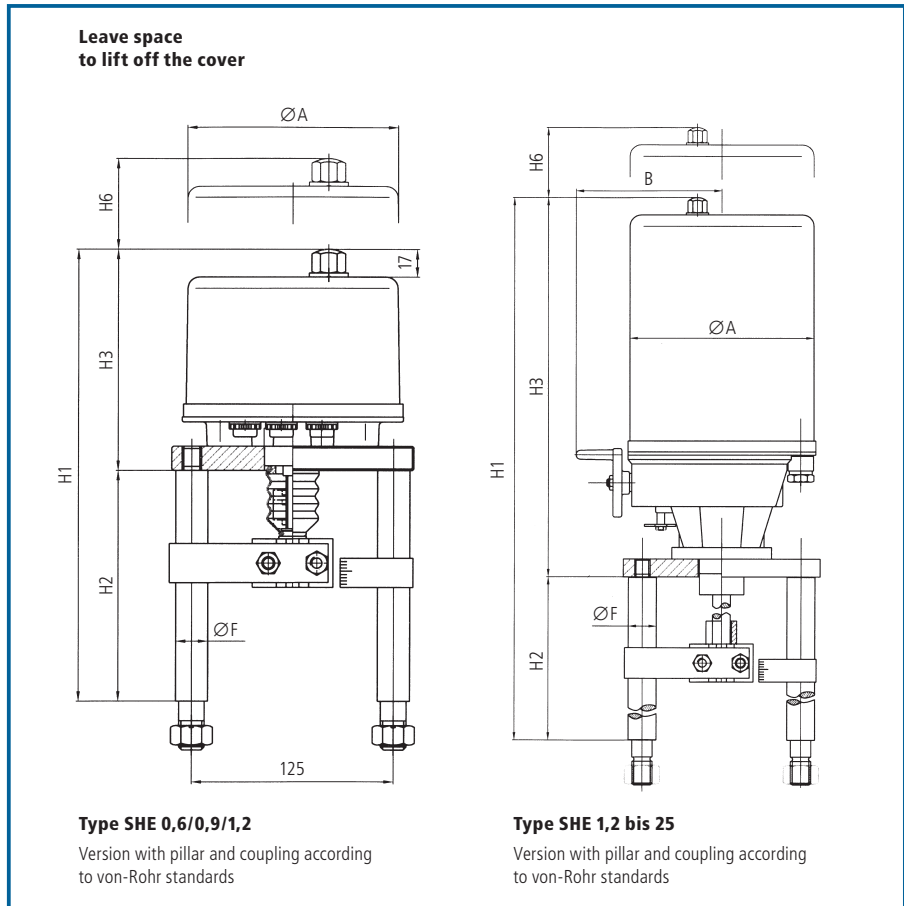


In case of power outage the actuator can be operated manually. For this the hand wheel unlocking device must be pushed against the body which connects the hand wheel to the gearing mechanism and simultaneously disconnects the motor. By releasing the lever, the hand wheel will automatically decouple over a spring, the actuator is then ready for motor operation.

Technical data

Type	6	8	12	15	20	25
Shut off force (kN)	6	8	12	15	20	25
Positioning time (s/min)	4,4	4,4/2,4/1,2	4,4/2,4/1,2	2,4/1,2	2,4/1,2	2,4/1,2
mm/min	13,3	13,3/25/50	13,3/25/50	25/50	25/50	25/50
Stroke min (mm)	35/16			50/35/16		
Stroke max (mm)	80			100		
Operating type	S4 – 30% ED 600 c/h					
Normal motor voltage	230 V/50 Hz; 400 V/50 Hz					
Power input (W) at 1~230 V/50 Hz	25,3	32/51,5/130	32/51,5/130	25/50	145/206	145/206
Number of power switches	2					
Contact rating	250 V~, 5 A					
Protection class	IP 65					
Ambient temperature	–20 ... +60°C					
Temperature monitor						switch off at 150°C switch on at 120°C
Accessories						
Number of limit switches	2 or 4 limit switches (WE-S3 and WE-S4 resp. WE-S5 and WE-S6)					
Additional contact rating	250 V~, 5 A					
Potentiometer number	max. 2					
Ohm-value	100 Ω, 200 Ω, 500 Ω, 1 k-Ω, 2 k-Ω, 5 k-Ω, 10 k-Ω, additional on request					
Position feedback electronic	0...20 mA/4...20 mA possible via position electronics (no galvanical isolation)					
Thermal resistor	24/110/230 V DC/AC, 15 W					
Other motor voltages	24 V/50 Hz; 110 V/60 Hz; 400 V/50 Hz 3~24 V DC					
Control and report device	Required when additional limit switch or potentiometer					

Dimensions and weights



Additional adaption options available on request.
The cover of the version with built in electric positioner is 40 mm higher (dimensions H1, H3 and H6 resp. H5)

Actuator	Shut off force (kN)	DN	H1	H2	H3	H6	B	ØA	ØF	Normal stroke	Max. stroke	Weight (kg)
SHE 0,6/0,9/1,2	0,6/0,9/1,2	15-32	232	98	134	110	-	133	20	16	20	3
		40-65	250	116						30		
SHE 1,2/2/4	1,2/2/4	15-32	232	116	280	170	117	145	20	16	35	6,5
		40-65	378/396	98/116						30		
SHE 6/8/12	6/8/12	40-65	450/468	98/116	352	200	164	188	20	16	35	11
		80-100	468	116						30		
SHE 15/20/25	15/20/25	40-65	505/523	98/116	407	210	178	216	28	16	35	17,5
		80-100	523	116						30		

Detailed documentation is available on request –
please phone us: +41 (0)61 467 91 20, or visit our internet site:
www.von-rohr.ch