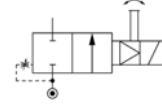


Anti-water hammer valves 2/2 - Pilot operated

Port size	Orifice (mm)	Flow factors (L/min)		Admissible differential pressure bar			Fluid temp. °C	Seat disc	Reference numbers				Power consumption (W)		Wt. (g)	El. Part Group *	Dim ref.
		kv	Qmax	Min	Max	Global valve reference			Valve reference no.	Housing	Coil	DC	AC				

Brass body/Pipe mounting

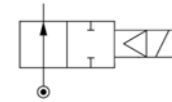
Normally closed



1 1/4	28	280	280	0.3	16	16	75	NBR	7321GBG76NMC	E321G3810	1	2995	481865	9	8	1860	2	11	
	28	280	280	0.3	16	16	75	NBR					4270	481000	8	8	1980	2	
1 1/2	40	420	420	0.3	10	16	75	NBR	7321GBG88NMC	E321G3910	1	2995	481865	9	8	2560	2	11	
	40	420	420	0.3	8.5	16	75	NBR					4270	481000	8	8	2680	2	
	40	420	420	0.3	16	16	75	NBR					4270	486265	14	14	2700	2	
2	40	540	540	0.3	10	16	75	NBR	7321GBG99NMC	E321G4010	1	2995	481865	9	8	2900	2	11	
	40	540	540	0.3	8.5	16	75	NBR					4270	481000	8	8	3040	2	
	40	540	540	0.3	16	16	75	NBR					4270	486265	14	14	3050	2	

Brass body/Pipe mounting

Normally open



3/4	20	135	135	0.3	16	16	75	NBR	7322GBG53NCO	322G3610	2	2995	481865	9	8	1430		11
	20	135	135	0.3	16	16	75	NBR					4270	481000	8	8	1550	
1	25	185	185	0.3	16	16	75	NBR	7322GBG64NCO	322G3710	2	2995	481865	9	8	1230		11
	25	185	185	0.3	16	16	75	NBR					4270	481000	8	8	1350	
1 1/4	28	270	270	0.3	16	16	75	NBR	7322GBG76NCO	322G3810	2	2995	481865	9	8	1860		11
	28	270	270	0.3	16	16	75	NBR					4270	481000	8	8	1980	
1 1/2	40	425	425	0.3	12	12	75	NBR	7322GBG88NCO	322G3910	2	2995	481865	9	8	2560		11
	40	425	425	0.3	12	12	75	NBR					4270	481000	8	8	2680	
2	40	540	540	0.3	12	12	75	NBR	7322GBG99NCO	322G4010	2	2995	481865	9	8	2900		11
	40	540	540	0.3	12	12	75	NBR					4270	481000	8	8	3040	

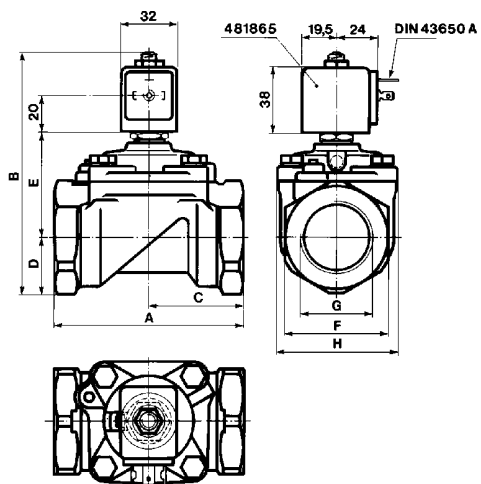
Notes:

* See Electrical Parts Group table at end of section

1. Manual override and 4 position selector for controlled closure rate standard - without manual override and 4 position selector on request: same type without suffix 10, e.g. : E321G36

2. 4 position selector for controlled closure rate standard

Anti-water hammer valves 2/2 - Pilot operated



	A	B	C	D	E	F	G	H
	mm	mm	mm	mm	mm	mm	inch	mm
G37	100	121	50	23	54	41	1	70
G36	100	121	50	23	54	41	3/4	70
G38	110	137.5	55	33	60.5	60	1 1/4	99
G39	140	144	75	33	67	60	1 1/2	99
G40	150	158.5	80	41.5	73	75	2	99



Dimension reference 11