

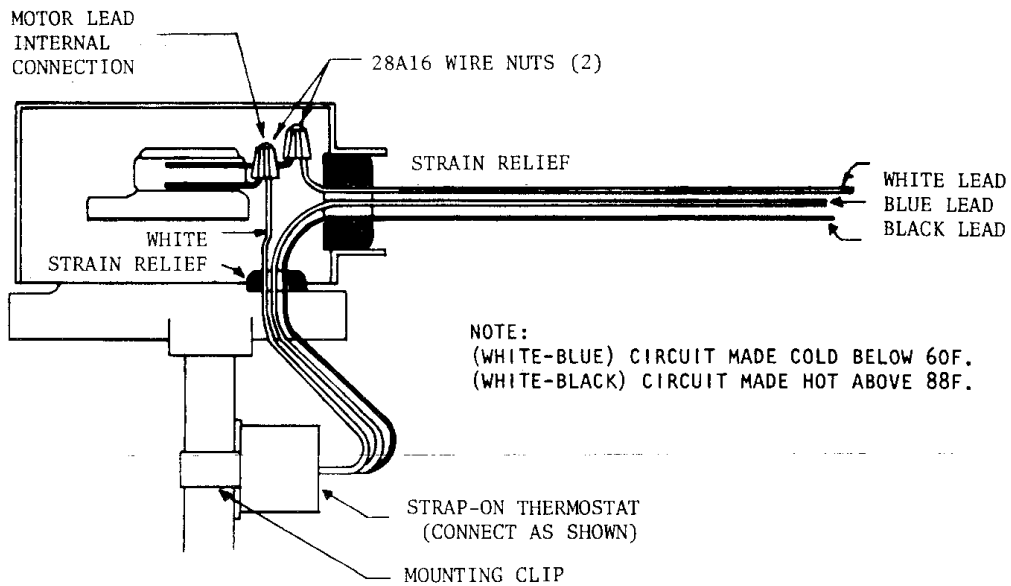


ERIE CONTROLS

A Division of Erie Manufacturing Company
A Multi-National Company

4000 South 13th Street, Milwaukee, WI 53221, Phone (414)483-0524, 800-558-3916, Telex 2-6867

THE FOLLOWING PERTAINS TO INSTALLATION OF THERMOSTATIC CHANGE-OVER SWITCH ON MOTORTROL® VALVES. KIT NUMBER 680A243-.



TO INSTALL TEMP CHANGE SWITCH, PROCEED AS FOLLOWS:

- 1.) REMOVE THE VALVE COVER AND BRING THE 3 LEADS FROM THE CHANGE-OVER THERMOSTAT THROUGH THE HOLE IN THE BASEPLATE AND INSTALL STRAIN RELIEF BUSHING.
- 2.) ATTACH WHITE LEAD FROM CHANGE-OVER THERMOSTAT TO MOTOR LEAD BY USE OF WIRE CONNECTOR.
- 3.) ATTACH THE LONG WHITE LEAD PROVIDED TO THE OTHER MOTOR LEAD BY USE OF THE SECOND WIRE CONNECTOR.
- 4.) BRING ALL THREE LEADS, AS SHOWN, THROUGH THE CONDUIT BUSHING AND APPLY STRAIN RELIEF BUSHING.
- 5.) REPLACE THE VALVE CONNECTOR, INSTALL VALVE AND FASTEN CHANGE-OVER THERMOSTAT TO INLET PIPE WITH CLIP.

SWITCH INSTALLATION

23A141