

# IC 917, 917LX

two-stage temperature controller with PID function



## Description

### IC 917

IC 917 controllers have two points of intervention, dependent or independent, with ON-OFF, PD, PID action, and Soft Start function. They can be used for temperature control.

Depending on the model, they may have an input for PTC/NTC thermostatic probes (selectable with a parameter). The values measured by the probes are displayed with three and a half digits and a minus sign. All models have TTL connections that enable the controllers to be used with Copy Card, the quick programming accessory.

### IC 917LX

The IC 917LX version includes a connection for TelevisSystem and a digital input that can be selected with a parameter.

Probe	Measurement range (°C)
NTC	-50...110,0
PTC	-55...150,0
Pt100	-50...650
Tc/TcK	-40...750/-40...1350

Relay output	Amp. capacity	Hp power
Output 1	8(3)	1/2
Output 2	8(3)	1/2

## Technical Data

Front pane protection: IP65.

Casing: plastic, PC+ABS UL94V-0 resin, polycarbonate glass, thermoplastic resin keys.

Front panel dimensions: 32x74, depth 60 mm.

Mounting: panel-mounting, with 29x71 mm (+0.2/-0.1mm) drilling template.

Connections: screw terminals for <math><2.5\text{mm}^2</math> (one lead per bracket, in compliance with VDE regulations).

Operating temperature: -5...55°C.

Storage temperature: -30...85°C.

Operating environment humidity: 10...90% RH\*.

Storage environment humidity: 10...90% RH\*

\*(non condensing).

Digital output: refer to attached table.

Analogue input: refer to attached table.

Serial: TTL port for Copy Card and TelevisSystem (LX mod).

Display: 3 and half digits plus sign

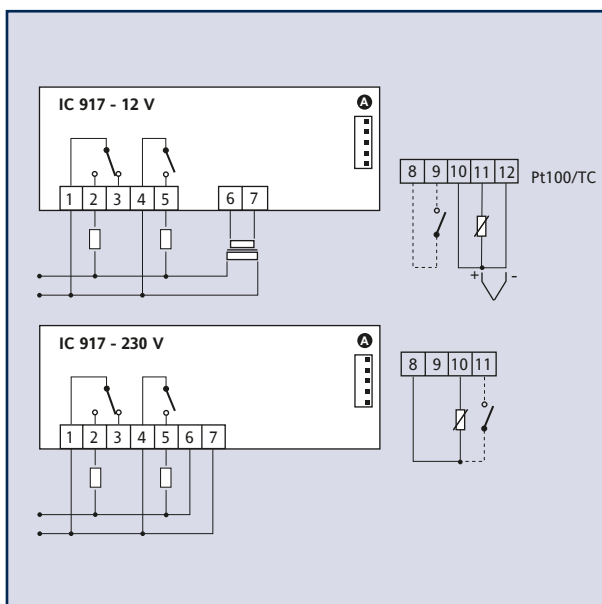
Resolution: 1 or 0.1(selectable with a parameter)

Accuracy: above 0.5% of bottom scale + 1 digit

Consumption: 3 VA (115/230 V model), 1.5 VA (12 V model).

Power supply: 12...24 V~/-; 230, 115 V~, or 12 V~/- ±10%, 50/60 Hz. Please contact the Sales Office for further information on relay and power supply ratings.

## Wiring Diagram



## Description of Wiring Diagram

### Common

- 1-2 Relay 1 N.O.
- 1-3 Relay 1 N.C.
- 4-5 Relay 2 N.O.
- 6-7 Power supply
- 8-10 Probe input
- A TTL input for Copy Card

### IC 917 LX

- 8-9 Digital Input (Pt100/TC model)
- 8-11 Digital Input (PTC/NTC model)
- A TTL input for Copy Card and TelevisSystem

