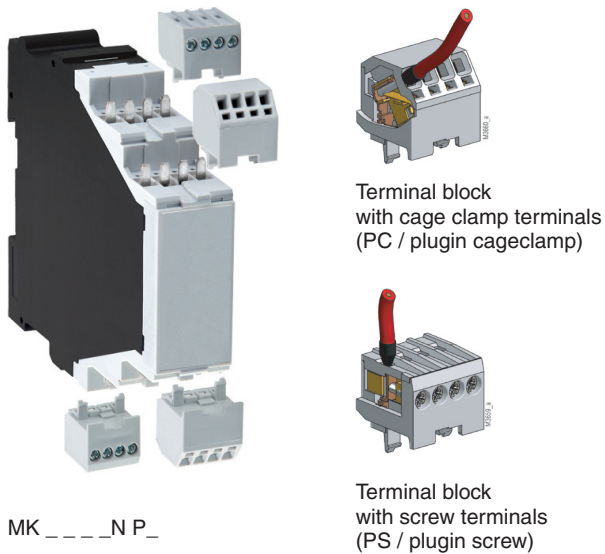




- According to IEC/EN 60 255, IEC/EN 61 810-1
- As option to switch low loads
- As option for 2-wire proximity sensor control
- MK 8804N: 4 changeover contacts
MK 8804: 2 or 3 changeover contacts
- With LED indicator
- Wire connection: also 2 x 1.5 mm² stranded ferruled, or 2 x 2.5 mm² solid DIN 46 228-1/-2/-3/-4
- as option with pluggable terminal blocks for easy exchange of devices
 - with screw terminals
 - or with cage clamp terminals
- Width 22.5 mm

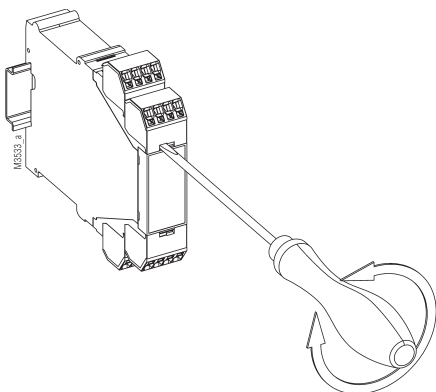
Options with pluggable terminal blocks



Notes

Removing the terminal blocks with cage clamp terminals

1. The unit has to be disconnected.
2. Insert a screwdriver in the side recess of the front plate.
3. Turn the screwdriver to the right and left.
4. Please note that the terminal blocks have to be mounted on the belonging plug-in terminations.



Approvals and marking



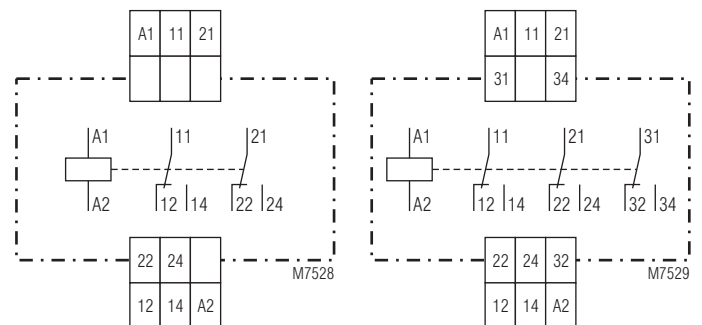
Application

For separating potentials

Indication

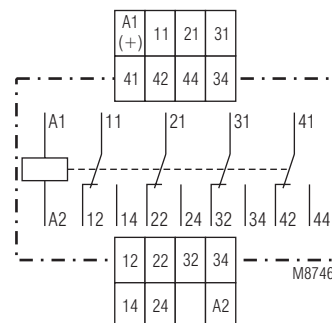
LED: on, when control signal applied

Circuit diagrams



MK 8804.12

MK 8804.13



MK 8804N.14

Technical Data	
Input	
Nominal voltage U_N	
MK 8804N:	AC/DC 12, 24, 42, 48, 60, 110, 127, 220 ... 240 V
MK 8804:	AC/DC 24, 42, 48, 60, 110, 127, 230, 240 V
Voltage range:	0.8 ... 1.1 U_N
Nominal consumption:	≤ 1.4 W
Nominal frequency:	50 / 60 Hz
Frequency range:	± 5 %
Output	
Contacts	
MK 8804.12:	2 changeover contacts
MK 8804.13:	3 changeover contacts
MK 8804N.14:	4 changeover contacts
Operate time:	≤ 10 ms
Release time:	≤ 15 ms
Thermal current I_{th}:	5 A
Switching capacity	
to AC 15:	
NO contact:	3 A / AC 230 V IEC/EN 60 947-5-1
NC contact:	2 A / AC 230 V IEC/EN 60 947-5-1
Electrical life	IEC/EN 60 947-5-1
to AC 15 at 3 A, AC 230 V:	5 x 10 ⁵ switching cycles
Permissible switching capacity:	3 000 switching cycles / h
Mechanical life:	> 30 x 10 ⁶ switching cycles
General Data	

Operating mode:	Continuous operation	
Temperature range:	- 20 ... + 60 °C	
Clearance and creepage distances		
rated impuls voltage / pollution degree:	4 kV / 2	IEC 60 664-1
EMC		
Electrostatic discharge:	8 kV (air)	IEC/EN 61 000-4-2
HF-irradiation:	10 V/m	IEC/EN 61 000-4-3
Fast transients:	4 kV	IEC/EN 61 000-4-4
Surge voltages between		
wires for power supply:	2 kV	IEC/EN 61 000-4-5
between wire and ground:	4 kV	IEC/EN 61 000-4-5
HF-wire guided:	10 V	IEC/EN 61 000-4-6
Interference suppression:	Limit value class B	EN 55 011
Degree of protection:		
Housing:	IP 40	IEC/EN 60 529
Terminals:	IP 20	IEC/EN 60 529
Housing:	Thermoplastic with V0 behaviour according to UL subject 94	
Vibration resistance:	Amplitude 0.35 mm	
	frequency 10 ... 55 Hz	IEC/EN 60 068-2-6
	20 / 060 / 04	IEC/EN 60 068-1
		EN 50 005
Climate resistance:		
Terminal designation:	DIN 46 228-1/-2/-3/-4	
Wire connection		
Screw terminals (integrated):	1 x 4 mm ² solid or 1 x 2.5 mm ² stranded ferruled or 2 x 1.5 mm ² stranded ferruled or 2 x 2.5 mm ² solid	

Technical Data	
Insulation of wires or sleeve length:	8 mm
Plugin with screw terminals	
max. cross section for connection:	1 x 2.5 mm ² solid or 1 x 2.5 mm ² stranded ferruled
Insulation of wires or sleeve length:	8 mm
Plugin with cage clamp terminals	
max. cross section for connection:	1 x 4 mm ² solid or 1 x 2.5 mm ² stranded ferruled
min. cross section for connection:	0.5 mm ²
Insulation of wires or sleeve length:	12 ^{± 0.5} mm
Wire fixing:	Plus-minus terminal screws M 3.5 box terminals with wire protection or cage clamp terminals
Mounting:	DIN rail IEC/EN 60 715
Weight	
MK 8804N:	150 g
MK 8804:	140 g
Dimensions	
Width x height x depth	
MK 8804N:	22.5 x 90 x 97 mm
MK 8804N PC:	22.5 x 111 x 97 mm
MK 8804N PS:	22.5 x 104 x 97 mm
MK 8804:	22.5 x 82 x 99 mm

Standard type	
MK 8804.12	AC/DC 24 V 50 / 60 Hz
Article number:	0018507 stock item
• Output:	2 changeover contacts
• Nominal voltage U_N :	AC/DC 24 V
• Width:	22.5 mm
Variants	
MK 8804.____/60:	with CSA-approval
MK 8804.____/001,	
MK 8804N.____/001:	for low loads from 0.1 ... 60 V, 1 mA ... 300 mA
MK 8804.____/004:	
MK 8804N.____/004:	for 2-wire-proximity sensor control, permissible residual current ≤ 5 mA

Ordering example for variants

MK 8804N.14	PS /100	AC/DC 24 V	50/60 Hz	
				Nominal frequency
				Nominal voltage
				Variant, if required
				Type of terminals
				without indication:
				terminal blocks fixed,
				with screw terminals
				PC (plugin cage clamp):
				plugable terminal blocks
				with cage clamp
				terminals
				PS (plugin screw):
				plugable terminal blocks
				with screw terminals
				Contacts
				Type