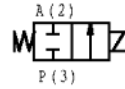
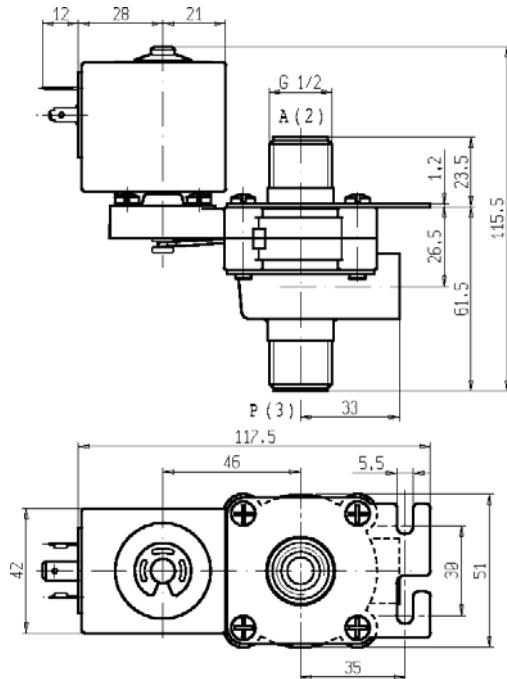




**SOLENOID VALVE - DRY**  
**2/2 - NC (Normally closed)**  
**Direct acting - Total isolation**  
**G 1/2**

**D132A22**



► **GENERAL FEATURES**

Direct acting, total isolation solenoid valve: the actuator is totally isolated from the medium so that the wetted parts are just the body and the diaphragm.

Possibility of disassembling for inspection.

Core duly coated by PTFE (polytetrafluoroethylene) based self lubricating material.

Suitable to shut off liquid and gaseous fluids (verify the compatibility of fluid with materials in contact).

► **TECHNICAL FEATURES**

Maximum allowable pressure (PS)	2 bar
Opening time	~ 30ms
Closing time	~ 30ms
Fluid temperature	-10°C +90°C
Max viscosity	5°E (~37 cStokes o mm <sup>2</sup> /s)

► **MATERIALS IN CONTACT WITH FLUID**

Body	PPS (Polyphenylene-sulfide) reinforced
Sealing	SBR

► **COIL**

Continuous duty	ED 100%
Encapsulation material	PET (polyethylene terephthalate) fiberglass reinforced
Coil insulation class	F (140°C)
Ambient temperature	-10°C +60°C
Electric connenctions	DIN 46340 - 3 poles connector (DIN 43650)
Protection degree	IP 65 (EN 60529) with plug connector
Voltages	DC 12-24V (+10% -5%)
	AC 24V/50Hz - 110V/50Hz (120V/60Hz) - 230V/50Hz (+10% -15%)
	(Other voltages and frequencies on request)

**NON STANDARD**

Port size ISO 228	Orifice size (mm)	Differential pressure (bar)						Kv (m <sup>3</sup> /h)	Series and type		Power absorption			Sealings	Notes	Weight (kg)
		Δp min	Δp max				Valve		Coil	AC (VA)		DC (W)				
			Gases		Liquids					Inrush	Holding					
			AC	DC	AC	DC										
G 1/2	9	0	1,6	0,25	1,6	0,25	1,6	D132A22	Z130A	44	24	13	SBR	-	0,520	

► **NOTES**

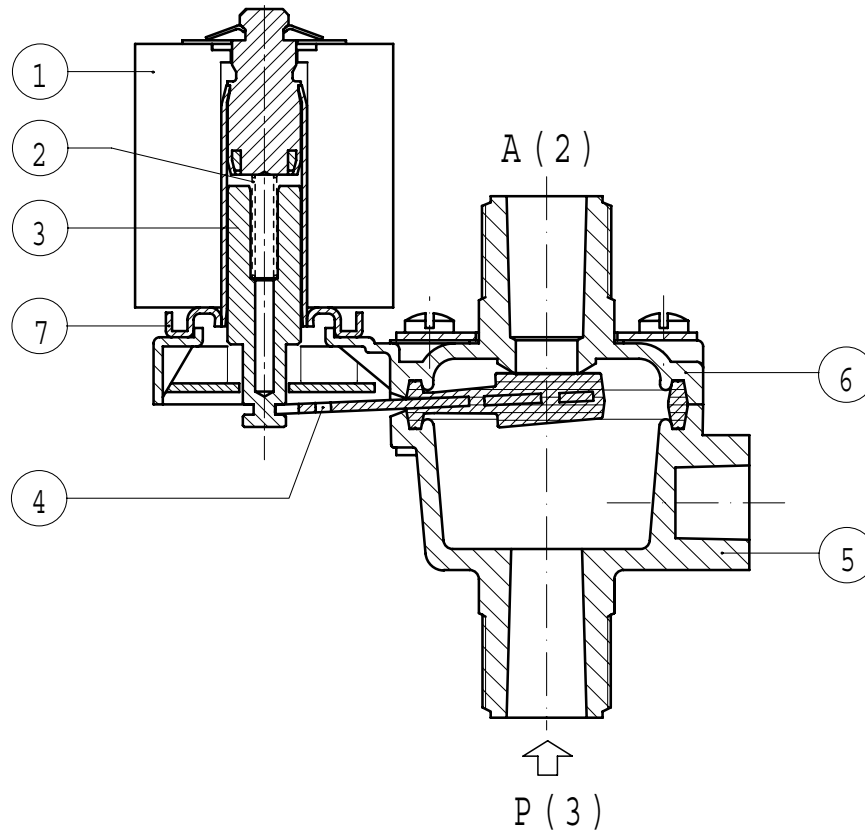
- Sealings : SBR = Elastomer styrol butadiene

0305/0402

# D132A22

NON STANDARD

## ► SPARE PARTS



### Kit description

### Kit P.N.

### Consisting of:

Body kit

G2986603

Upper body pos.6  
Lower body pos.5

Core kit

G2992801

Core return spring pos.2  
Core pos.3

Lever seal

3037304R

Lever seal pos.4

Guide assembly

3077401R

Guide assembly pos.7

Coil

Z130A

Coil pos. 1

## ► INSTALLATION

- In case of disassembling for usual maintenance, the fixing screws have to be tightened at 1,5 Nm max torque.
- Solenoid valve can be mounted in any position; vertical with coil upwards preferred.
- Maximum driving torque of the pipe fittings for thread connections = 15Nm.

THE VALIDITY OF REPORTED DATA IS REFERRED TO THE DATE OF ISSUE. POSSIBLE UPDATING ARE AVAILABLE ON REQUEST.