

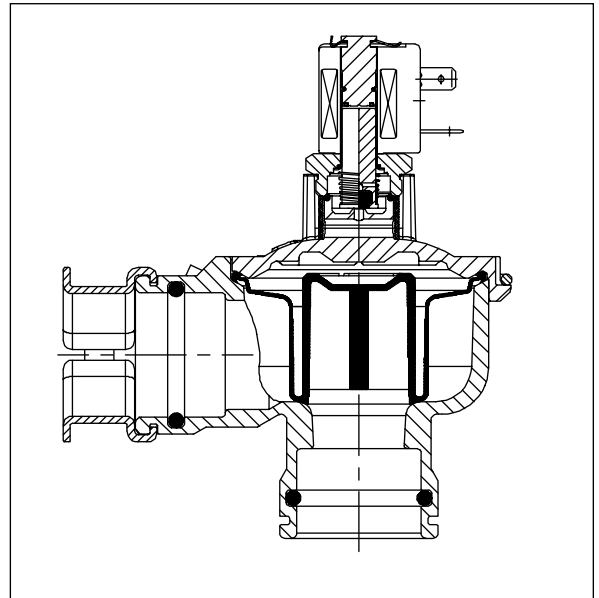
Features

- Unique flow pattern and special springless piston/diaphragms provide superior dust collector performance.
- Long life and broad temperature range.
- Quick mount connection eliminates thread cutting and sealing.
- Stainless steel clip-ring mounting eliminates bolts that can corrode and seize.
- Integral operators have molded epoxy coils, with available options.
- Valves may be mounted in any position.



Construction

Body	Aluminum
Clip Ring/Clamps/Bolts	Stainless Steel
Diaphragm	HYT
Integral Solenoid	
Core Tube/Core & Plugnut/Core Spring	Stainless Steel
Seals and Disc	NBR
Shading Coil	Copper



Electrical

Standard Coil and Class of Insulation	Watt Rating and Power Consumption			Spare Coil Part No.	
	AC			General Purpose	Explosionproof
	Watts	VA Holding	VA Inrush	AC	AC
F	6.1	16	30	238210	238214

Standard Voltages: 24, 120, 240, 480 volts AC, 60 Hz (or 110, 220 volts AC, 50 Hz). Consult factory for DC voltage. Other voltages are available when required.

Solenoid Enclosures

Standard: Red-Hat II Types 1, 2, 3, 4, and 4X combination. General Purpose and Watertight.
Optional: Red-Hat II Types 3, 3S, 4, 4X, 6, 6P, 7, and 9. Explosionproof and Watertight. (To order, add prefix "EF" to catalog number.) Other electrical and construction options are also available. <i>Consult your local ASCO office for details on accessories.</i>

Nominal Ambient Temperature Ranges:

Remote: -40°F to 185°F (-40°C to 85°C)

Integral: -4°F to 125°F (-20°C to 50°C)

Refer to Engineering Section for details.

SERIES
8353
Dust Collector



Specifications (English, Metric units)

Pipe Size (ins.)	Orifice Size (ins. (mm))	Remote Pilot Connection ins. (mm)	Cv Flow Factor	Kv Flow Factor (m3/h)	Operating Pressure Differential psi (bar)		Quick Mount Catalog Number	Constr. Ref. No.	NPT Connections Catalog Number	Constr. Ref. No.	Watt Rating/ Class of Coil Insulation
					Air						
					Minimum	Maximum					
REMOTE PILOT CONSTRUCTIONS											
3/4	3/4 (19.1)	1/8 (3.2)	16	13.71	5 (0.3)	125 (8.6)	8353A120	1	8353A220	2	-
1	1 (25.4)	1/8 (3.2)	27	23.14	5 (0.3)	125 (8.6)	8353A121	1	8353A221	2	-
INTEGRAL PILOT CONSTRUCTIONS											
3/4	3/4 (19.1)	-	16	13.71	5 (0.3)	125 (8.6)	8353G126	3	8353G226	4	6.1/F
1	1 (25.4)	-	27	23.14	5 (0.3)	125 (8.6)	8353G127	3	8353G227	4	6.1/F

Dimensions: inches (mm)

Remote Pilot Constructions

Constr. Ref. 1

Quick Mount

Constr. Ref. 2

NPT

Pipe Connections	A	B	C	D	E	F	G	H	J
3/4" Quick Mount	-	4.12 (105)	2.76 (70)	2.44 (62)	2.72 (69)	3.91 (99)	2.56 (65)	1.09 (27.6)	1.65 (42)
1" Quick Mount	-	4.92 (125)	3.23 (82)	2.80 (71)	3.35 (85)	4.36 (110.7)	2.84 (72)	1.35 (34.4)	1.89 (48)
3/4" NPT	3/4"	3.33 (85)	1.97 (85)	1.65 (42)	2.72 (69)	3.12 (79)	-	-	-
1" NPT	1"	4.13 (105)	2.44 (62)	2.01 (51)	3.35 (85)	3.57 (90.7)	-	-	-

Integral Pilot Constructions

Constr. Ref. 3

Quick Mount

Constr. Ref. 4

NPT

Pipe Connections	A	B	C	D	E	F	G	H	J	K
3/4" Quick Mount	-	4.12 (105)	2.76 (70)	2.44 (62)	2.72 (69)	6.10 (155)	2.56 (65)	1.09 (27.6)	2.80 (71)	1.65 (42)
1" Quick Mount	-	4.92 (125)	3.23 (82)	2.80 (71)	3.35 (85)	6.63 (168)	2.84 (72)	1.35 (34.4)	2.97 (75)	1.89 (48)
3/4" NPT	3/4"	3.33 (85)	1.97 (85)	1.65 (42)	2.72 (69)	5.31 (135)	-	-	2.80 (71)	-
1" NPT	1"	4.13 (105)	2.44 (62)	2.01 (51)	3.35 (85)	5.84 (148)	-	-	2.97 (75)	-