

GRAPHIC INDICATOR

SHN-1100



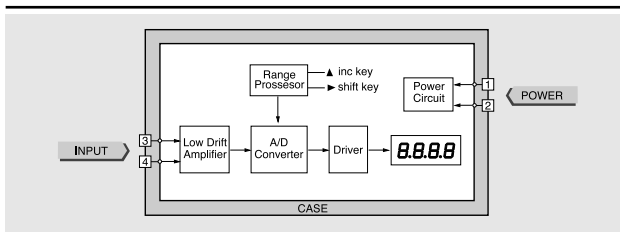
SHN-1100 is graphic indicator that is easy to installation by miniaturize and light weight

- It is also realize hi-accuracy and hi-reliability using by microprocessor
- Contains sensor adjustment function.
- Display range selection function.
- Indicates the values of input scale proportional to input vaues.
- To easy to read, taking high bright red FND.

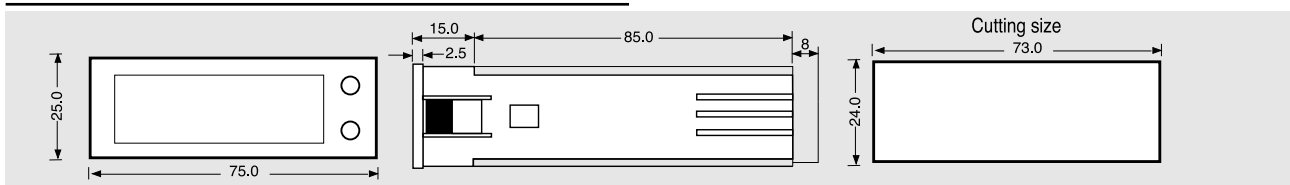
GENERAL SPECIFICATIONS

System Formular	Dual Slope Integral System
Power Supply	DC 24V
Display	7 Segment & 4 Digit
Accuracy	±0.1%
Input Impedance	1~5V DC(1MΩ or more) 4~20mA(250Ω)
Display Setting Range	-999~9999
Sensor Compensation	±99
Linearity	Standard Function
Operating Temperature/Humidity	-20~60°C / 90%(NC)
Dimensions	W75×H25×D108(mm)
Case Material	ABS Resin(black)
Weight	about 220g
Mounting	Panel Mounting(Grapic Panel)

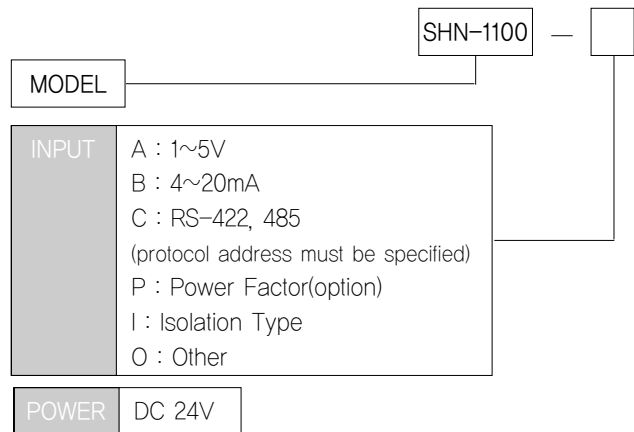
BLOCK DIAGRAM



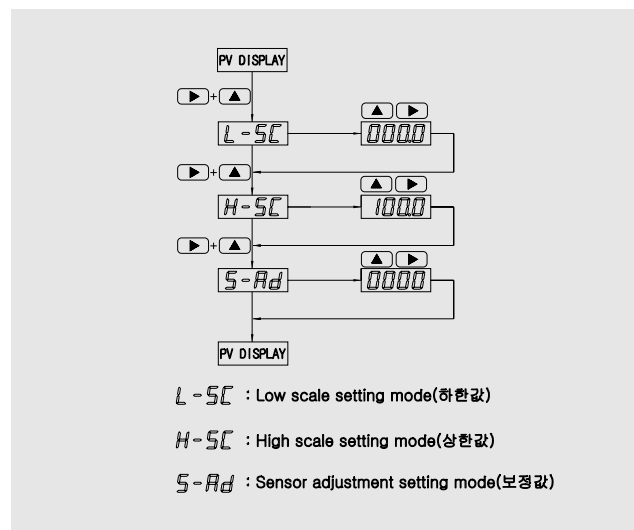
DIMENSIONS (unit : mm)



MODEL & SUFFIX CODE SELECTION



OPERATION



CONNECTION EXAMPLE

