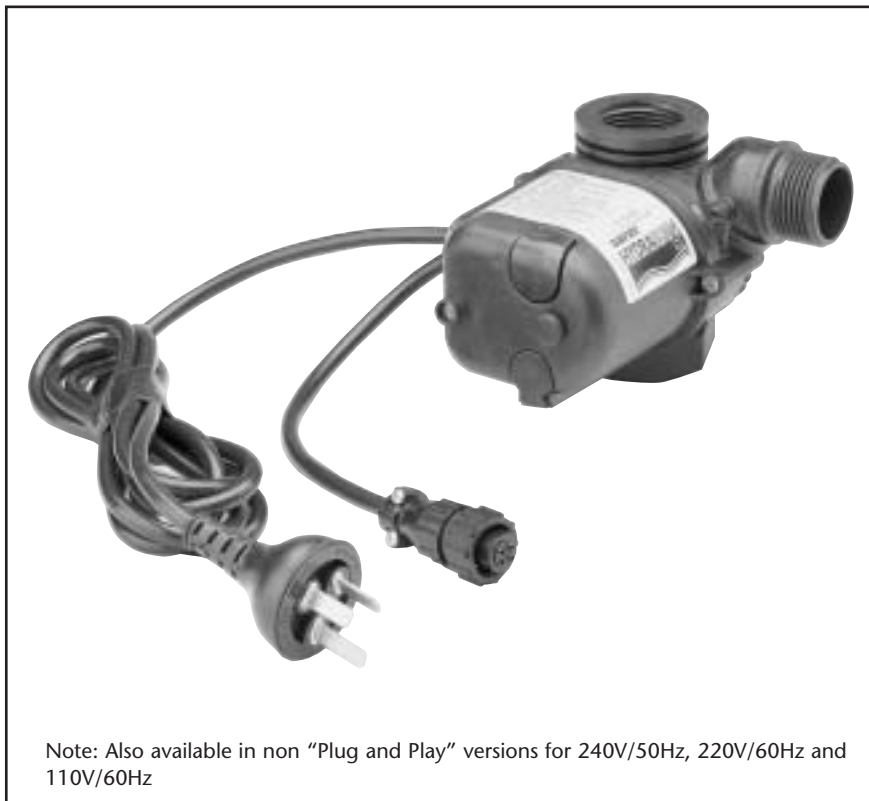


HYDRASCAN® CL PLUG AND PLAY

Part Number: 31610

DEPEND ON
DAVEY



Note: Also available in non "Plug and Play" versions for 240V/50Hz, 220V/60Hz and 110V/60Hz

HYDRASCAN® CL

PRODUCT DESCRIPTION

Constant flow control and loss of prime device for automatic water pressure systems.

Includes Davey Plug and Play electrical leads for ease of installation.

APPLICATIONS

- Household water supply control
- Replacing pressure switches
- Small irrigation pumps

FEATURES & BENEFITS

Starts pump on pressure drop and stops pump on low flow

- Reduces pump cycling
- Constant water pressure

Stops pump in "loss of prime" circumstances and activates low pressure indicator light

- Protects the pump from dry run damage
- Helps identify installation faults

Adjustable cut-in pressure switch

- Easier to adjust for varying inlet pressures and/or discharge heads

Water over-temperature cut-out fail safe protection

- For added security

FEATURES & BENEFITS

No moving parts in the waterways

- Improved reliability
- Less reduction of pump performance
- Can be used with varying water quality

Corrosion and scale resistant flow sensor with 316 stainless steel sensor plate

- Can be used with varying water quality

Right angle discharge rotatable around full 360°, with tank mounting position on top

- Easier installation
- Can be used with a variety of pressure tank sizes

Plug and play electrical connections

- For easy fitment to Davey HS pumps

OPERATING LIMITS

Max. recommended flow* 150lpm

Min. constant flow rate 2.5lpm ± 1.5lpm

Max. working pressure 1000kPa

Max. temperature rating 50°C

Max. direct switching current 7 amps

Cut-in pressure
Factory setting 210kPa
Adjustable range 100-500kPa

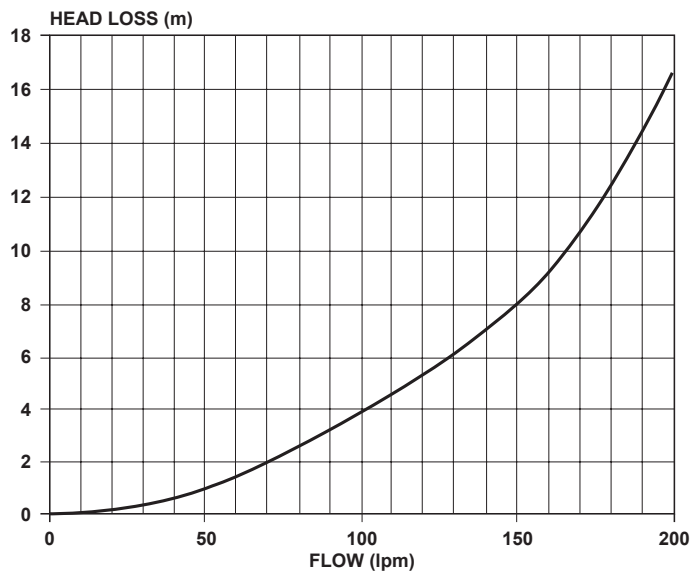
* Higher flows may be controlled by using by-pass pipework manifolds

TECHNICAL SPECIFICATIONS

MATERIALS OF CONSTRUCTION

PART	MATERIAL
Housing	Glass fibre reinforced noryl
Pressure switch diaphragm	Special grade natural rubber
Flow cone	Acetal
Sensor plate	Double annealed 316 stainless steel
Flange adaptor	Glass fibre reinforced nylon
Locking nut	Glass fibre reinforced nylon
Orings	Nitrile

HYDRAULIC PERFORMANCE

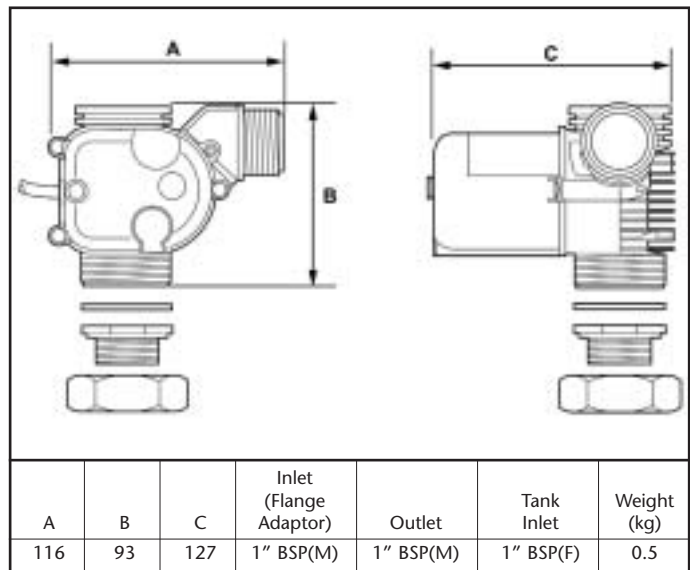


ELECTRICAL DATA

Voltage	220V ± 10%
Phase	Single
Hz	50 / 60
IP rating	45
Max. load current	7A
Max. motor size*	1.1kW
Surge protection	Varistor

*For direct switching - larger motors can be switched via contactor or relay

DIMENSIONS



All dimensions in mm unless otherwise stated.

This literature is not a complete guide to product usage. Further information is available from your Davey dealer, Davey Customer Service Centre and from the relevant product Installation and Operating Instructions. This data sheet must be read in conjunction with the relevant product Installation and Operating Instructions and all applicable statutory requirements. Product specifications may change without notice.

© Davey and Hydrascan are registered trademarks of Davey Products Pty Ltd. © Davey Products Pty Ltd 2000.

DEPEND ON
DAVEY

Davey Products Pty Ltd

Member of the GUD Holdings Ltd Group

ABN 18 066 327 517

Head Office and Manufacturing

6 Lakeview Drive,
Scoresby, Australia 3179

Ph: +61 3 9730 9222

Fax: +61 3 9753 4100

Website: www.davey.com.au

Customer Service Centre

Ph: 1300 367 866

Fax: 1300 369 119

E-mail: sales@davey.com.au

Interstate Offices

Sydney - Brisbane - Adelaide

Perth - Townsville

International

6 Lakeview Drive,
Scoresby, Australia 3179

Ph: +61 3 9730 9121

Fax: +61 3 9753 4248

E-mail: export@davey.com.au

Germany

Kantstrasse 47,
04275 Leipzig

Ph: +49 341 301 0412

Fax: +49 341 301 0413

E-mail: DaveyEurop@aol.com

New Zealand

8 Ashfield Street,
Glenfield, Auckland 1310

Ph: +64 9 444 3622

Fax: +64 9 444 2179

E-mail: sales@daveynz.co.nz

USA

1005 N. Commons Drive
Aurora, Illinois 60504

Ph: +1 630 898 6976

Fax: +1 630 851 7744

Website: www.daveyusa.com

E-mail: sales@daveyusa.com