

V46 Series

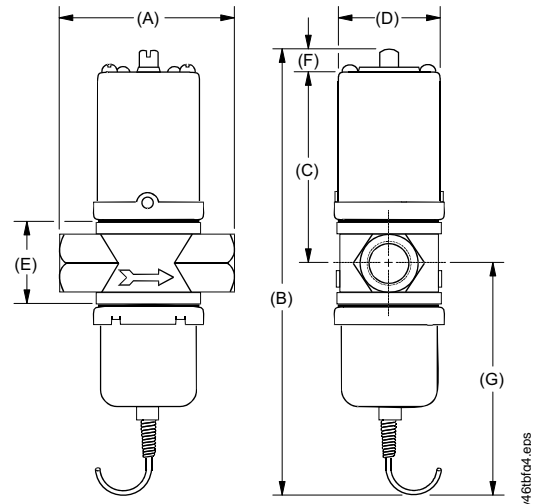
Valve Dimensions

Roughing-in Dimensions

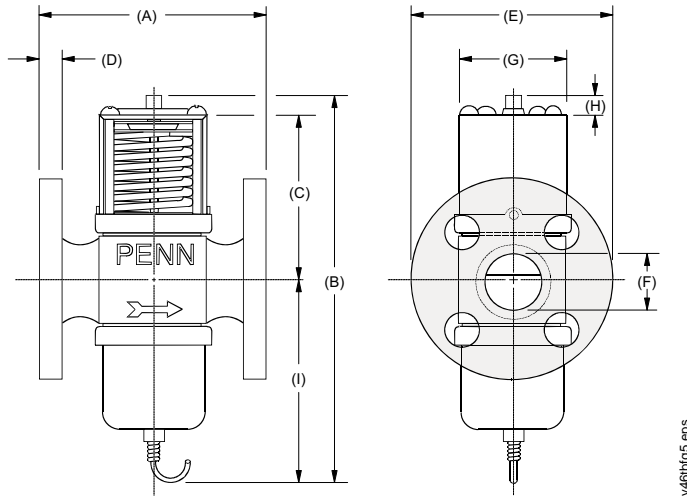
Commercial Service: V46 Threaded Connection Dimensions

Valve Size	Dimensions in Inches						
	A	B	C	D	E	F	G
3/8 in.	2-5/8	6-3/4	3-1/8	1-1/2	1-1/4	13/32	3-7/32
1/2 in.	3-1/8 (3-1/4) ¹	7-13/32	3-3/8	1-27/32	1-1/2	13/32	3-5/8
3/4 in.	3-3/8 (3-5/8) ¹	7-7/8	3-7/8	2-1/32	1-3/4	13/32	3-21/32
1 in.	4-1/2 (4-7/8) ¹	10-3/4	5-1/2	2-25/32	2	1/2	4-3/4
1-1/4 in.	4-7/8	11-1/8	5-3/4	2-5/8	2-3/8	1/2	4-29/32

1. Values in parenthesis are for maritime valves. All other dimensions remain the same.



Threaded Type Valves



Flange Type Valves

Commercial Service: V46 Flange Connection Dimensions

Valve Size	Dimensions in Inches									V46 Flange Specifications		
	A	B	C	D	E	F	G	H	I	No. of Holes	Hole Size	Bolt Circle
1-1/2 in.	5-5/16	11-1/8	5-3/4	9/16	5	1-7/8	2-5/8	1/2	4-29/32	4	5/8	3-7/8
2 in.	6-5/8	13	6-15/32	5/8	6	2-1/4	3-1/2	1/2	6-1/8	4	3/4	4-3/4
2-1/2 in.	6-3/4	13-1/2	6-3/8	3/4	7	2-23/32	3-1/2	1-1/32	6-3/32	4	3/4	5-1/2

Maritime Service: ASME Flange Connection Dimensions

Valve Size	Dimensions in Inches									ASME Flange Specifications		
	A	B	C	D	E	F	G	H	I	No. of Holes	Hole Size	Bolt Circle
1-1/2 in.	5-5/16	10-1/2	5-5/8	9/16	5	1-7/8	2-5/8	1/2	5	4	5/8	3-7/8
2 in.	6-3/8	13-1/8	6-1/2	1/2	6	2-3/4	3-1/2	5/8	6	4	3/4	4-3/4
2-1/2 in.	6-3/4	13-1/8	6-1/2	11/16	7	2-3/4	3-1/2	5/8	6	4	3/4	5-1/2

Navy "BuShips" Service: Navy Flange Connection Dimensions

Valve Size	Dimensions in Inches									Navy Flange Specifications		
	A	B	C	D	E	F	G	H	I	No. of Holes	Hole Size	Bolt Circle
3/4 in.	4-3/16	7-3/4	4	7/16	3-13/16	1-1/8	2-1/32	1/2	3-5/16	4	9/16	2-11/16
1 in.	5-5/16	9	4-1/2	1/2	4-1/4	1-1/4	2-5/8	1/2	4	4	9/16	3-1/8
1-1/4 in.	5-5/16	9-11/32	4-11/16	1/2	4-1/2	1-5/8	2-5/8	1/2	4-5/32	4	9/16	3-3/8
1-1/2 in.	5-5/16	10-7/32	5-3/4	1/2	5-1/16	1-7/8	2-5/8	1/2	4	6	9/16	3-15/16
2 in.	6-3/8	14-1/8	6-13/32	1/2	5-9/16	2-3/4	3-1/2	7/16	7-9/32	6	9/16	4-7/16
2-1/2 in.	6-3/8	14-5/16	6-1/2	1/2	6-1/8	2-3/4	3-1/2	5/8	7-3/16	6	9/16	5

The performance specifications are nominal and conform to acceptable industry standards. For applications at conditions beyond these specifications, consult the local Johnson Controls office. Johnson Controls, Inc. shall not be liable for damages resulting from misapplication or misuse of its products. © 2009 Johnson Controls, Inc. www.johnsoncontrols.com