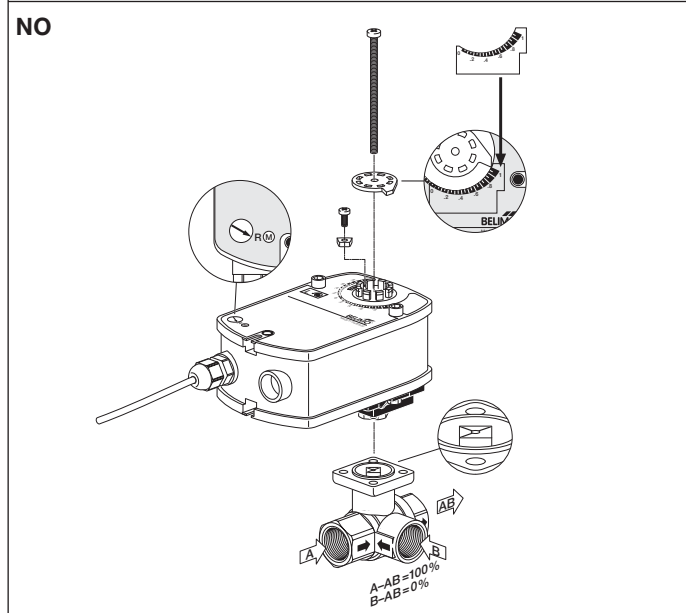
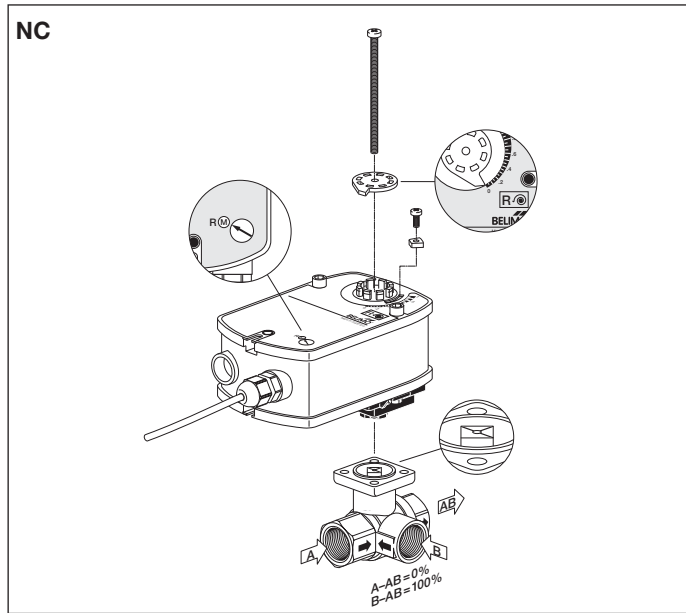
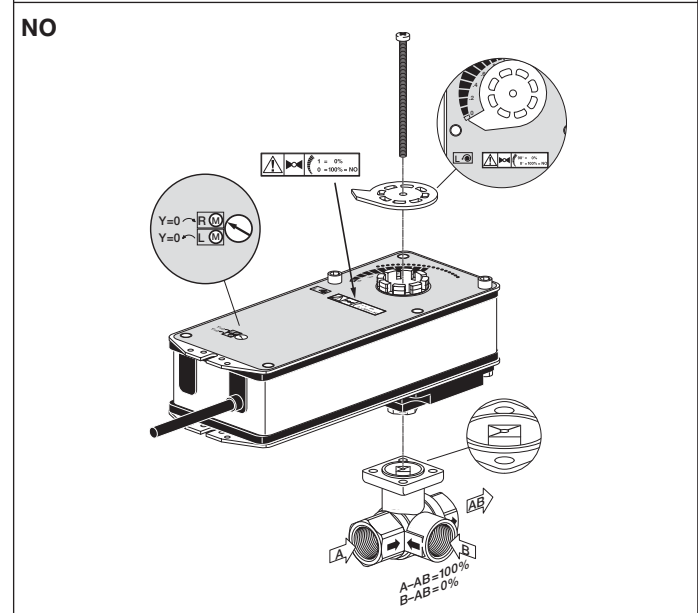
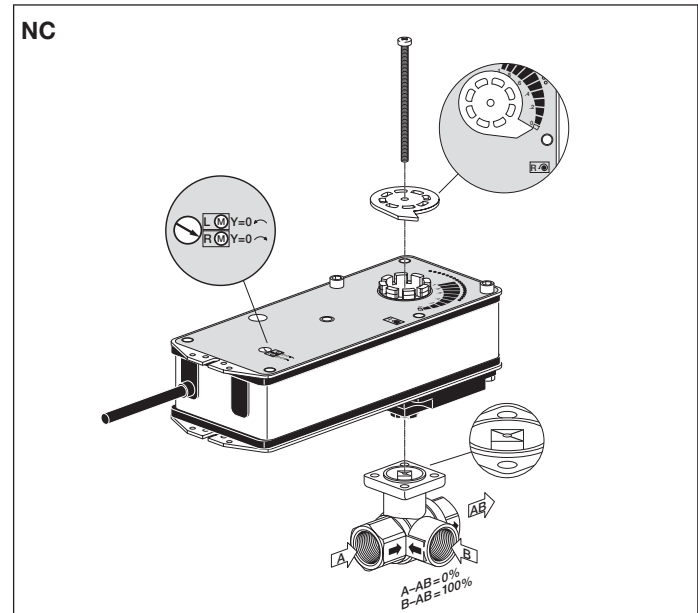


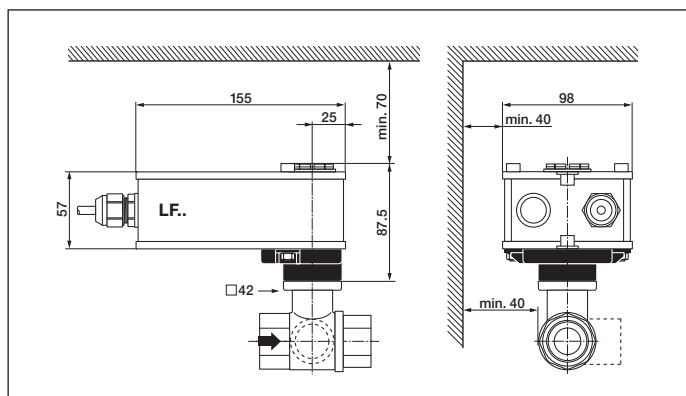
## Installation of LF.. rotary actuator with R.. ball valve



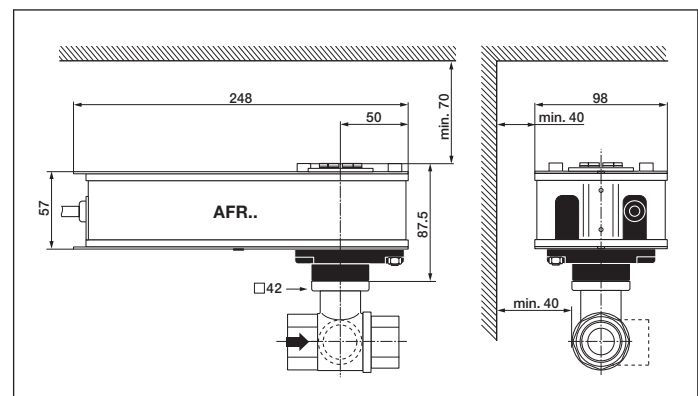
## Installation of AFR.. rotary actuator with R.. ball valve



## Installation dimensions, LF.. + R..



## Installation dimensions, AFR.. + R..



### Delivery condition of R..+LF.. :

- Type of installation for NC: ball valve A-AB closed (safety position)
- Type of installation for NO: ball valve A-AB open (safety position)
- Cable connected to port A
- Ball valve dimensions: page 12/13

### Delivery condition of R..+AFR.. :

- Type of installation for NC: ball valve A-AB closed (safety position)
- Type of installation for NO: ball valve A-AB open (safety position)
- Cable connected to port A
- Ball valve dimensions: page 12/13