

**Rotary actuator for 2 and 3-way open-close ball valves DN 15...32 with emergency control function**

**Open-close actuator (AC 230 V)**

**Open-close control**

### Application

Operation of open-close ball valves.

### Mode of operation

Open-close control is effected with 1-wire control.

The LF. actuator moves the open-close ball valve into the operating position while simultaneously charging the return spring. The open-close ball valve is turned back into the safety position by the application of spring energy when the supply voltage is interrupted.

### Product features

**Simple direct mounting** on the open-close ball valve using only one screw. The mounting position in relation to the open-close ball valve can be selected in 90° steps.

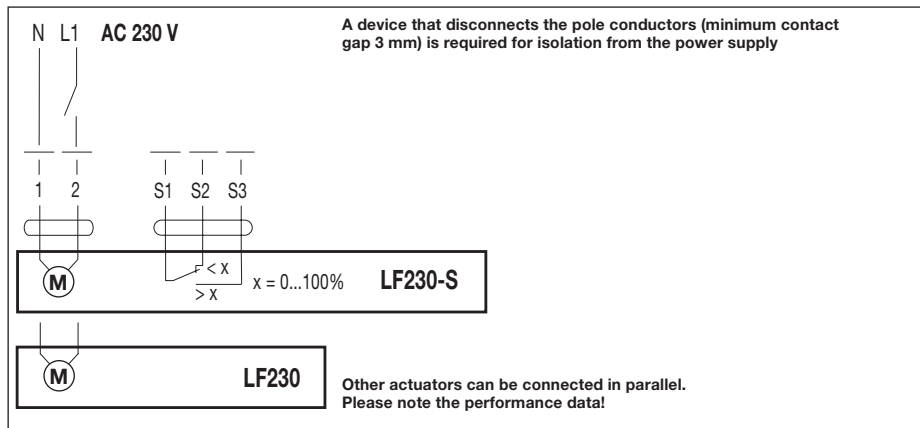
**Functional reliability:** The actuator is overload-proof and automatically stops when the end stops are reached.

**Signalization:** 0...100%, with adjustable auxiliary switch (LF230-S only).

### Ordering examples:

- LF230 rotary actuator with R.. open-close ball valve fitted  
– Order code: R..+LF230
- LF230 rotary actuator and R.. open-close ball valve supplied separately  
– Order code: R../LF230
- LF230 rotary actuator packed loose  
– Order code: LF230+WLF  
(WLF mounting kit for ball valve)

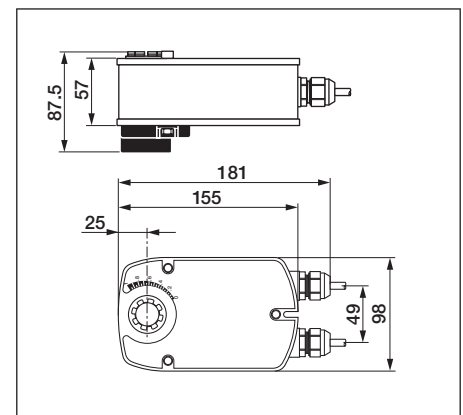
### Wiring diagram



### Technical data

Nominal voltage	AC 230 V 50/60 Hz
Power supply range	AC 198...264 V
For wire sizing	7 VA (I <sub>max</sub> 150 mA @ 10 ms)
Power consumption	When charging spring 5 W In holding position 3 W
Connection	Motor Cable 1 m, 2 x 0.75 mm <sup>2</sup> Auxiliary switch (LF230-S) Cable 1 m, 3 x 0.75 mm <sup>2</sup>
Auxiliary switch (LF230-S)	1 x EPU 6 (1.5) A, AC 250 V II Adjustable switching point, 0...100% ◁
Direction of rotation	Reversible by mounting L / R
Torque	Motor min. 4 Nm (at nominal voltage) Spring return min. 4 Nm
Angle of rotation	max. 95° (37...100% ◁ adjustable with integral, mechanical angle of rotation limiting)
Running time	Motor 40...75 s (0...4 Nm) Spring return ~20 s @ -20...50°C / max. 60 s @ -30°C
Sound power level	Motor max. 50 dB (A) Spring return ~62 dB (A)
Service life	min. 60 000 safety positions
Position indication	Mechanical
Protection class	II Totally insulated
Degree of protection	IP 54
Ambient temperature range	-30...+50°C
Temperature of medium	+5...+100°C (ball valve)
Non-operating temperature	-40...+80°C
Humidity test	To EN 60730-1
EMC	CE according to 89/336/EEC
LV Directive	CE according to 73/23/EEC
Maintenance	Maintenance-free
Weight	1.55 kg (without ball valve)

### Dimensions [mm]



### Important

- Suitable open-close ball valves: pages 8 to 11
- Use and safety: page 2
- Installation instructions: page 36
- Installation dimensions: page 36