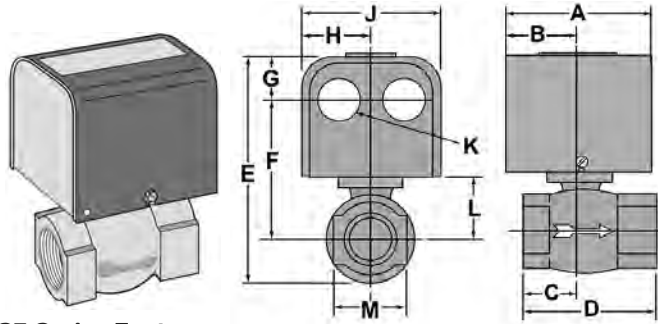


McDonnell-Miller FS5 and FS8-W Liquid Flow Switches

FS5 Series of Flow Switches



FS5 Dimensions (inches)

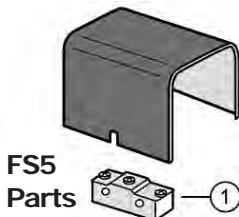
A	B	C	D	E	F	G
3-7/16	1-9/16	1-5/16	3-3/16	5-1/16	3-1/4	7/8
H	J	K	L	M		
1-19/32	3-3/16	7/8	1-3/8	1-11/16		

FLOW RATES of FS5 Series

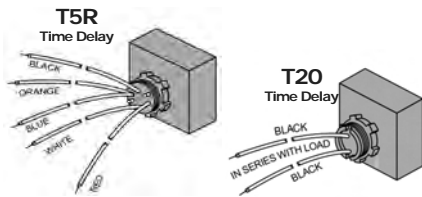
Model No.	Switch Setting	Flow GPM	No Flow GPM
All FS5 Series Flow Switches	Minimum	4.4	2.6
	Maximum	10.5	9.8

FS5 Series Features

- For applications requiring a low flow rate
- For starting, stopping electrical equipment based on flow
- Built-in 3/4" or 1" tee eliminates need for a pipe tee
- SPDT snap-switch & Sensitivity flow adjusting screw
- Minimum fluid temperature to 32° F; Maximum to 225° F steel, 250° F brass. ■ Maximum pressure to 150 psi.



Electrical Ratings for FS5 series		
Voltage	Full Load	Locked Rotor
120	7.4	44.4
240	3.7	22.2
Pilot Duty 125VA at 120 or 240VAC		



FS5 Flow Switches

Model No.	Pipe Size	Description	Order No.
FS5-3/4	3/4"	Flow switch, 3/4" pipe	MH1155
FS5-1	1"	Flow switch, 1" pipe	MH1156
FS5-D-3/4	3/4"	FS5 with two SPDT switches	MH1157
FS5-D-1	1"	FS5-1 with two SPDT switches	MH1158
FS5-DS-1	1"	FS5-D-1 with stainless steel body	MH1156A
FS5-S-1	1"	FS5-1 with stainless steel body	MH1156B

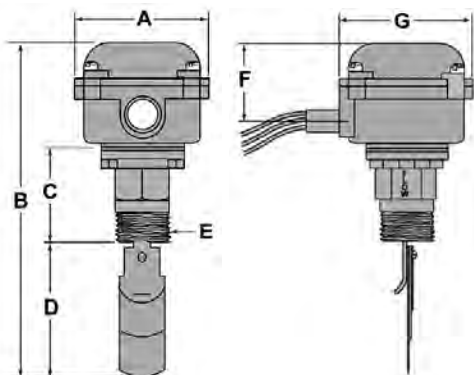
Repair Parts for FS5 Series

Item No.	Description	Order No.
1	SPDT Snap-Switch	MI1187

Time Delay Relays

T5R	5 second delay on break, 120 volts	MH1177
T5R-24V	T5R but for 24 volts	MH1178
T20	20 second delay on make, 120 volts	MH1180
T20-24V	T20 but for 24 volts	MH1181
T20-24VDC	T20 but for 24 volts DC battery	MH1182

McDonnell-Miller FS8-W Liquid Flow Switches



Features of the FS8-W Series

- For general applications requiring water-tight, dust-tight NEMA 4X rating.
- 1" pipe size connection.
- Four paddles included: 1", 2", 3" and 6".
- SPDT snap-switch & Sensitivity flow adjusting screw.
- Minimum fluid temperature to 32° F; Maximum to 225°.
- Maximum pressure to 150 psi.

FS8 Series Dimensions (inches)

A	B	C	D	E	F	G
3-1/4	8-3/8	2-1/4	3-1/2	1	1-3/4	3-1/4

FS8-W Flow Switches

Model No.	Description	Order No.
FS8-W	Industrial flow switch	MH1170
FS8-WG	FS8 with gold plated contacts	MH1168D
FS8-WG-SL	FS8-WG with sealed leads	MH1168E

Repair Parts

Parts for all the FS8-W models.	O-Ring	MI1196
	SPDT switch	MI1182
	Paddle kit of 4 paddles (1, 2, 3 & 6")	MI1183A
	Stainless steel paddle kit (1" & 6")	MI1184