

4.4 Onboard interfaces

4.4.1 PGU connection (PORT #0, PCD1 and PCD2) (RS 232) for connecting programming devices

The PGU interface (Port#0) is connected to a 9-pole D-Sub connector (female). The interface is used to connect the programming device when the unit is commissioned.

The interface is of type RS 232c.

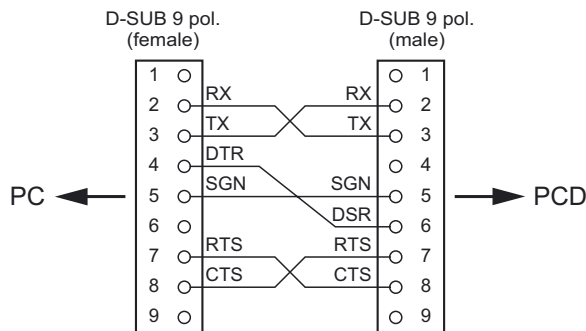
The pin configuration and associated signals are:

Pin	Designation	Meaning	
1	PGND	Protective Ground	[Schutzerde]
2	RXD	Receive Data	[Empfangsdaten]
3	TXD	Transmit Data	[Senddaten]
4	n.c.	Not Connected	[Nicht verwendet]
5	SGN	Signal Ground	[Signalerde]
6	DSR	PGU Connected	[Erkennung PGU]
7	RTS	Request To Send	[Sender einschalten]
8	CTS	Clear To Send	[Sendebereitschaft]
9	+5 V	Supply P100	[Speisung P100]

The PGU protocol is provided for operation with a programming device. The use of the PCD8.P800 service unit is supported from firmware version \$301 for all PCD1/PCD2 controllers.

PCD8.K111 connecting cable

(P8 and S-Bus protocol, suitable for all PCD1/PCD2 units)



PCD8.K110 connection cable (obsolete)

(P8 protocol, suitable for PCD1.M110/120 and PCD2.M110/120 only)

