

# SOLENOID VALVES FOR REFRIGERANT

Type REV & UEV

SAGInoMIYA

## GENERAL DESCRIPTION

- Pilot operated, 2-way, normally closed valve (Type REV) and normally opened valve (Type UEV).
- For non-corrosive refrigerant (liquid or gas) in refrigeration, cooling, air conditioning systems.
- "Double plunger" construction provides reliable On/Off action.
- Compact molded coil commonly fits all valve sizes.
- Operates in any position ... can be conveniently located in horizontal or vertical line with coil on top.
- Manual Opening Stem ... On Flange connection models, supplied as standard. On Flare or Solder connection models, supplied upon request.



Type REV-D



Type UEV-B

## TYPE NUMBER SELECTION (SPECIFICATIONS)

Unit: MPa {kgf/cm<sup>2</sup>}

Catalog No.	Port Size (mm)	Cv Value	Connection			O.P.D.		Max. Working Pressure	Wt. (kg)							
			Copper Tube O.D.	Steel Tube O.D.	Style	Min.	Max.									
REV-703BX[Y]F	7	1.0	3/8"	—	Flare	0.007 {0.07}	2.45 {25}	2.94 {30} [4.2{42}]	0.6							
REV-1004BX[Y]F	10	2.0	1/2"						0.9							
REV-1205BX[Y]F	12	3.5	5/8"						1.1							
REV-1506BX[Y]F	15	5.3	3/4"						1.5							
REV-1003GX[Y]F	10	2.0	3/8"						Rc	1.0						
REV-1204GX[Y]F	12	3.5	1/2"							1.3						
REV-1506GX[Y]F	15	5.3	3/4"							1.7						
REV-703DX[Y]F	7	1.0	3/8"							0.5						
REV-1004DX[Y]F	10	2.0	1/2"							0.8						
REV-1205DX[Y]F	12	3.5	5/8"						0.9							
REV-1506DX[Y]F	15	5.3	3/4"		1.1											
REV-2007DX[Y]F	20	9.0	7/8"		—				Solder	0.007 {0.07}	2.45 {25}	2.94 {30} [4.2{42}]	1.6			
REV-2010DX[Y]F			1"													
REV-2011DX[Y]F			1-1/8"													
REV-2511DXF			1-1/8"													
REV-2512DXF			1-1/4"													
REV-2513DXF	1-3/8"															
REV-3213DXF	32	19.4	1-3/8"							*	Flange	0.007 {0.07}	2.45 {25}	2.94 {30} [4.2{42}]	3.2	
REV-3214DXF			1-1/2"													
REV-3215DXF			1-5/8"													
REV-2006EXF			20	9.0		7/8"	1-1/8"	3/4"								5.1
REV-2510EXF			25	13.8		1"	1-1/2"	1"								7.7
REV-3212EXF	32	19.4	1-1/4"	1-5/8"		1-1/4"	8.9									
REV-4014EXF	40	32.0	1-1/2"	2"		1-1/2"	10.8									
REV-5020EXF	50	45.0	2"	2-1/2"		2"	16.3									
REV-6524EXF	65	74.0	2-1/2"	3"		2-1/2"	23.2									
REV-6530EXF			3"	3-1/2"	3"	26.6										
UEV-1004BXF	10	2.0	1/2"	—	Flare	0.007 {0.07}	1.96 {20}	2.94{30}	0.9							
UEV-1205BXF	12	3.5	5/8"						1.1							
UEV-1506BXF	15	5.3	3/4"						1.5							
UEV-1003GXF	10	2.0	3/8"						Rc	1.0						
UEV-1204GXF	12	3.5	1/2"							1.3						
UEV-1506GXF	15	5.3	3/4"							1.7						
UEV-2010GXF	20	9.0	1"							1.9						
UEV-1004DXF	10	2.0	1/2"							Solder	0.8					
UEV-1205DXF	12	3.5	5/8"						0.9							
UEV-1506DXF	15	5.3	3/4"						1.1							
UEV-2007DXF	20	9.0	7/8"		1.6											
UEV-2010DXF			1"													
UEV-2011DXF			1-1/8"													

\* With companion flange, specify copper tube O.D. size when order.

• O.P.D.: Operating Pressure Differential (by air pressure)

• Ambient temperature: -30 to 40°C, allowable fluid temperature: -40 to 125°C (REV), -40 to 120°C (UEV)

• Weight includes a coil

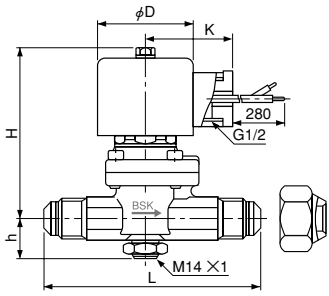
# ELECTRICAL RATING OF SOLENOID COILS

Type	Rated Voltage	Tolerance (%)	Voltampere (VA)		Power Consumption (W)	Insulation Class
			Running	Inrush		
REV	24V.AC, 100V.AC, 110V.AC 200V.AC, 220V.AC, 240V.AC	50/60Hz	+10 -15	17/14	43/35	Class B Molded
	12V.DC, 24V.DC 48V.DC, 100V.DC	—	±10	—	—	
UEV	24V.AC, 100V.AC, 110V.AC 200V.AC, 220V.AC, 240V.AC	50/60Hz	+10 -15	17/14	43/35	

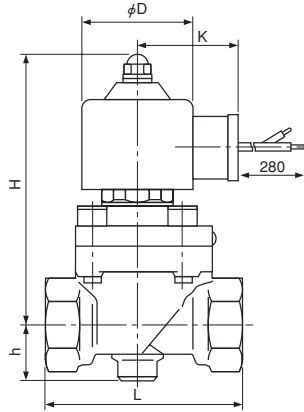
Specify voltage & frequency when order.  
Current (A)=Voltampere / Rated Voltage

## DIMENSIONS

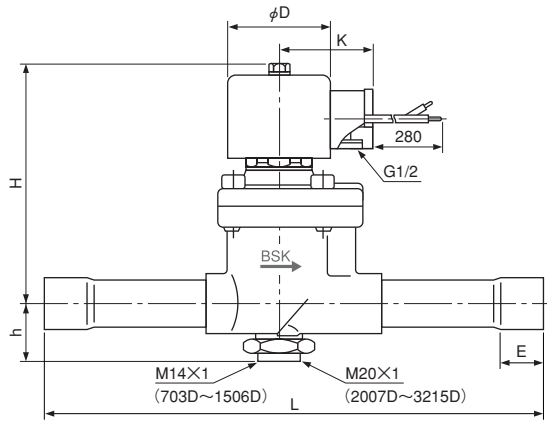
Type REV-B, UEV-BX



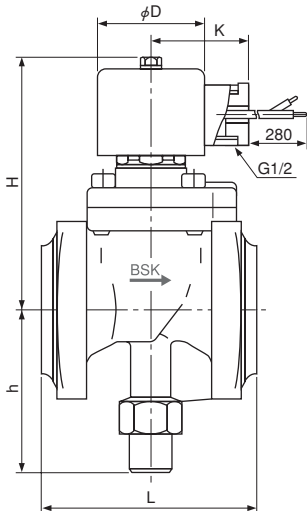
Type REV-G, UEV-GX



Type REV-D, UEV-DX



Type REV-EX



Unit: mm

Catalog No.	Unit: mm								
	L	H	h	E	φ D	K			
703BX[Y]	90	70[73]	19	—					
1004BX[Y]	105	88[90]	21						
1205BX[Y]	115	90[92]	22						
1506BX[Y]	135	96[99]	25						
1003GX[Y]	65	89[91]	20						
1204GX[Y]	75	94[96]	21						
1506GX[Y]	85	99[102]	24						
703DX[Y]	150	70[73]	19				10	48	44
1004DX[Y]	160	88[90]	21				13		
1205DX[Y]	180	90[92]	22				16		
1506DX[Y]	190	96[99]	25	19					
2007DX[Y]	230	112 [116]	29	20					
2010DX[Y]									
2011DX[Y]									
2511DX	240	123	31	23					
2512DX									
2513DX									
3213DX									
3214DX									
3215DX	260	126	35	26					
2006EX	95	112	73	—					
2510EX	110	123	78						
3212EX	120	126	87						
4014EX	130	133	92						
5020EX	170	149	115						
6524EX	200	169	129						
6530EX	210								
1004BX	105	108	21				—	48	44
1205BX	115	110	22						
1506BX	135	116	25						
1003GX	65	109	20						
1204GX	75	112	21						
1506GX	85	119	24						
2010GX	100	133	33						
1004DX	160	108	21	13					
1205DX	180	110	22	16					
1506DX	190	116	25	19					
2007DX	230	132	29	20					
2010DX									
2011DX									