

# IC 915, 915LX

two stage temperature, humidity and pressure controller



## Description

### IC 915, IC 915/R, IC 915/P, IC 915/V-I

IC 915 controllers have two points of intervention only and can be used for temperature (IC 915), relative humidity (IC 915/R) and pressure (IC 915/P) control, provided for ON-OFF operation.

Depending on models, they may have an input for PTC/NTC thermostatic probes or for Pt100/Tcj/Tck probes, EWHS280/300/310 humidity probes, for EWPA007/030 pressure transducers, for 0/4..20 mA, 0..1/5/10 V current and voltage signals (selectable with a parameter).

The values measured by the probes are displayed with three and a half digits and a minus sign. All models have TTL connections that enable the controllers to be used with Copy Card, the quick programming accessory.

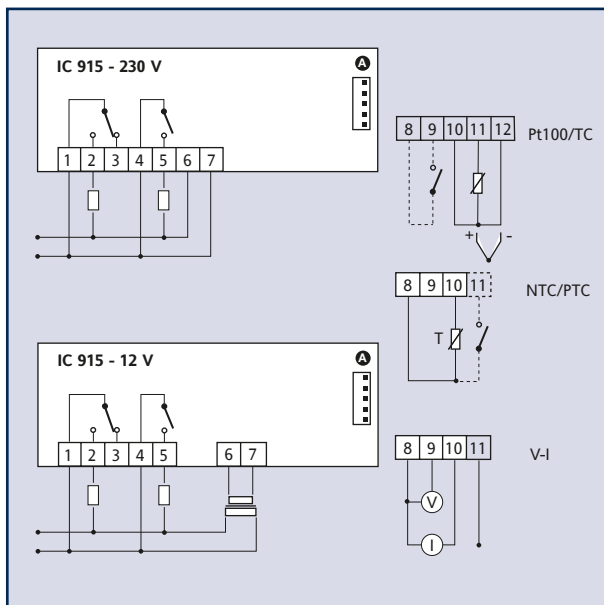
### IC 915LX

The IC 915LX version includes a connection for TelevisSystem, or alternatively for networks with ModBUS protocol.

Model	Analog input
IC 915	NTC/PTC/Pt100/Tcj/Tck
IC 915/P	EWPA 007/030
IC 915/R	EWHS 280/300/310
IC 915/V-I	0...1/5/10 V    0/4...20 mA

Relay output	Amp. capacity	Hp power
Out 1	8(3)	1/2
Out 2	8(3)	1/2

## Wiring Diagram



## Technical Data

Front panel protection: IP65.

Casing: plastic, PC+ABS UL94V-0 resin, polycarbonate glass, thermoplastic resin keys.

Front panel dimensions: 32x74, depth 60 mm.

Mounting: panel-mounting, with 29x71 mm (+0.2/-0.1mm) drilling template.

Connections: screw terminals for <math><2,5\text{mm}^2</math> (one lead per bracket, in compliance with VDE regulations).

Operating temperature:  $-5...55^{\circ}\text{C}$

Storage temperature:  $-30...85^{\circ}\text{C}$

Operating environment humidity: 10...90% RH\*

Storage environment humidity: 10...90% RH\*

\*(non condensing)

Digital output: refer to attached table

Analogue input: refer to attached table

Serial: TTL port for Copy Card and TelevisSystem (LX mod).

Display: 3 and half digits plus sign

Resolution: 1 or 0.1(selectable with a parameter)

Accuracy: above 0.5% of bottom scale + 1 digit

Consumption: 3 VA (115/230 V model), 1.5 VA (12 V model)

Power supply: 12...24 V $\sim$ ; 230, 115 V $\sim$ , or 12 V $\sim$   $\pm 10\%$ , 50/60 Hz. Please contact the Sales Office for further information on relay and power supply ratings.

## Description of Wiring Diagram

### Common

1-2	Relay 1 N.O.	9	"+" voltage input
1-3	Relay 1 N.C.	10	"+" current input
4-5	Relay 2 N.O.	11	12 V $\sim$ input
6-7	Power supply	A	TTL input for Copy Card
8	"-" current and voltage input	T	Temperature probe input

### IC 915 LX

A	TTL input for Copy Card and TelevisSystem
8-9	Digital Input (Pt100/TC model)
8-11	Digital Input (PTC/NTC model)

