

IC 912, 912LX

one stage temperature, humidity and pressure controller



Description

IC 912, IC 912/R, IC 912/P, IC 912/V-I

IC 912 controllers have one point of intervention only and can be used for temperature (IC 912), relative humidity (IC 912/R) and pressure (IC 912/P) control, provided for ON-OFF operation.

Some models have an input for PTC/NTC thermostatic probes or for Pt100/Tcj/Tck probes,

EWHS280/300/310 humidity probes, for EWPA007/030 pressure transducers, for 0/4...20 mA, 0..1/5/10 V current and voltage signals (selectable with a parameter).

The values measured by the probes are displayed with three and a half digits and a minus sign. All models have TTL connections that enable the controllers to be used with Copy Card, the quick programming accessory.

IC 912LX

The IC 912LX version includes a connection for TelevisSystem, or alternatively for networks with ModBUS protocol.

Model	Analog input
IC 912	NTC/PTC/Pt100/Tcj/Tck
IC 912/P	EWPA 007/030
IC 912/R	EWHS 280/300/310
IC 912/V-I	0...1/5/10 V 0/4...20 mA

Relay output	Amp. capacity	Hp power
Regulation	8	1/2

Technical Data

Front panel protection: IP65.

Casing: plastic, PC+ABS UL94V-0 resin, polycarbonate glass, thermoplastic resin keys.

Front panel dimensions: 32x74, depth 60 mm.

Mounting: panel-mounting, with 29x71 mm (+0.2/-0.1mm) drilling template.

Connections: screw terminals for <2,5mm² (one lead per bracket, in compliance with VDE regulations).

Operating temperature: -5...55°C.

Storage temperature: -30...85°C.

Operating and storage environment humidity: 10...90% RH* (non condensing).

Digital output: refer to attached table.

Analogue input: refer to attached table.

Digital input: 1 free from voltage input (LX model).

Serial: TTL port for Copy Card and TelevisSystem (LX mod).

Display: 3 and half digits plus sign.

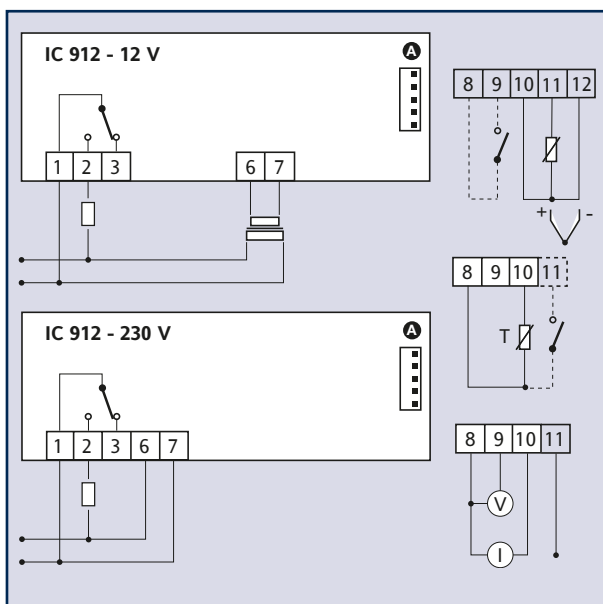
Resolution: 1 or 0.1.

Accuracy: above 0.5% of bottom scale + 1 digit.

Consumption: 3 VA (115/230 V model), 1.5 VA (12 V model).

Power supply: 12...24 V~/-; 230, 115 V~, or 12 V~/- ±10%, 50/60 Hz. Please contact the Sales Office for further information on relay and power supply ratings.

Wiring Diagram



Description of Wiring Diagram

Common

1-2	Relay N.O.	9	“+” voltage input
1-3	Relay N.C.	10	“+” current input
6-7	Power supply	11	12 V= input
8	“-” current and voltage input	A	TTL input for Copy Card
		T	Temperature probe input

IC 912 LX

A	TTL input for Copy Card and TelevisSystem
8-9	Digital Input (Pt100/TC model)
8-11	Digital Input (PTC/NTC model)

