

# FASEC 33-FASEC 43(C) - FASEC 53



## Applications

The FASEC 33 and FASEC 43(C) instruments are designed for speed control and are particularly suited for applications on refrigeration units for the condensation function.

The FASEC 53 is a manual fan regulator suitable for applications on refrigeration units.

## Common features

Front panel: IP20

Container: flame retardant NORYL plastic casing

Dimensions: front panel 48x96mm, depth 96mm excluding baseboard

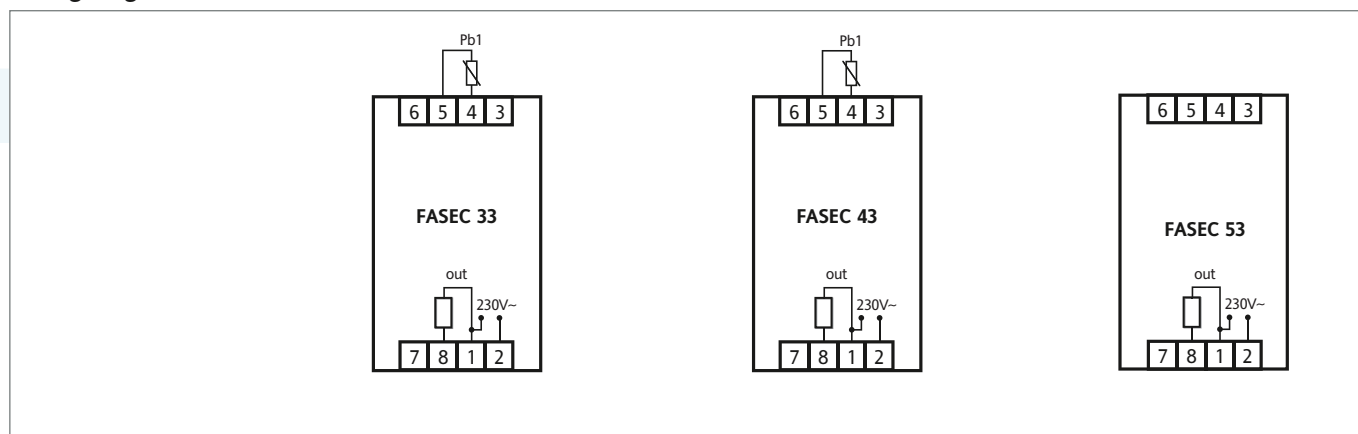
Installation: panel mounting with 45x92mm hole

Use temperature: -5...60°C

Storage temperature: -30...75°C

General features	FASEC 33	FASEC 43(C)	FASEC 53
Connections:	Octal baseboard	Octal baseboard	Octal baseboard
Regulation:	-	-	from 0 to 100% with knob on front panel
Analogue inputs:	1 PTC	1 PTC	-
Setting output:	1 2.5A triac, 7A triac	1 2.5A triac, 7A triac	1 2.5A triac, 7A triac
Setting range:	0...60°C	<ul style="list-style-type: none"> <li>FASEC 43: -40...30°C</li> <li>FASEC 43C: 0...60°C</li> </ul>	
External filter (for version 7A):	load power supply max current 7A; cylinder diameter 38mm, height 28mm; M8 fixing bolt.	load power supply max current 7A; cylinder diameter 38mm, height 28mm; M8 fixing bolt.	load power supply max current 7A; cylinder diameter 38mm, height 28mm; M8 fixing bolt.
Type of setting:	proportional phase capacity step	proportional phase capacity step	manual phase capacity step
Type of function:	for condensation	for evaporation	-
Power supply:	230V~ ±10% 50/60Hz	230V~ ±10% 50/60Hz	230V~ ±10% 50/60Hz

## Wiring diagrams



## Codes

p/n	description	Power supply	p/n	description	Power supply
FA53370000	FASEC 33	230V~	FA55370000	FASEC 53	230V~
FA54370000	FASEC 43	230V~			