

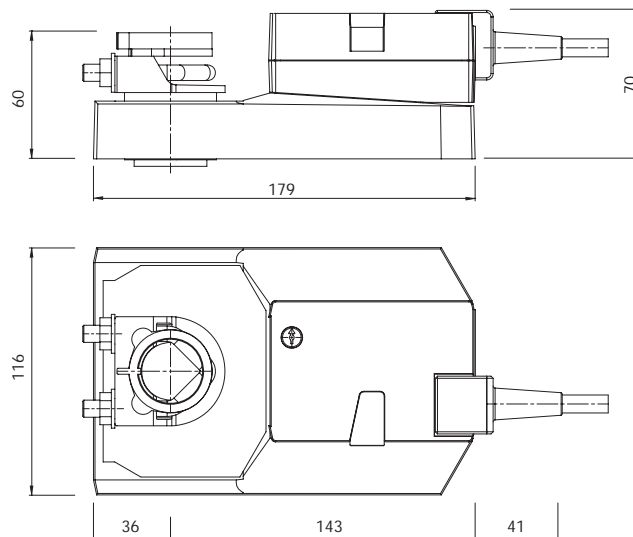
- For operation of air control dampers in HVAC system
- Torque: 40Nm
- Nominal voltage: AC/DC 24V
- Control: Open/Close



Technical data

Electrical data	Nominal voltage	AC 24V 50/60Hz, DC 24V
	Nominal voltage range	AC/DC 19.2...28.8V
	Power consumption	4W @ running / 2W @ holding
	Wire/transformer sizing	6VA
	Connection cable	Cable 1m, 3x0.75mm ²
Functional data	Torque	40Nm
	Direction of rotation	Selectable by switch
	Manual override	Gearing latch disengaged by pushbutton, self-resetting
	Angle of rotation	Max. 95°, adjustable by mechanical stops
	Running time	150s for 95°
	Sound power level	Max. 48dB(A)
	Position indication	Mechanical, remote visible
Working conditions	Protection class	III (safety low voltage)
	Degree of protection	IP54 in any directions
	EMC	CE according to 89/336/EEC
	Mode of operation	Type 1 to EN 60730-1
	Ambient temperature	-30...+50°C
	Non-operation temperature	-40...+80°C
	Humidity test	95%RH, non condensing (EN 60730-1)
Dimensions / weight	Maintenance	Maintenance-free
	Dimensions (L x W x H)	220x116x70mm
	Shaft length	Min. 52mm (20mm for reverse mounting)
	Shaft	⌀ 14...25.2mm
	Weight	Approximately 1700g

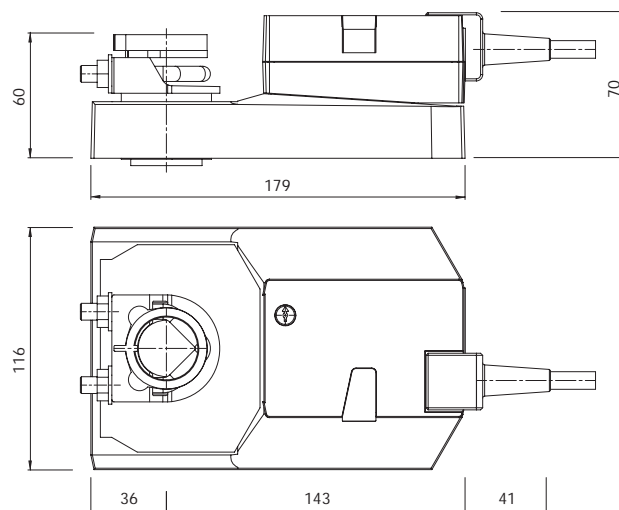
Dimensions [mm]



- For operation of air control dampers in HVAC system
- Torque: 40Nm
- Nominal voltage: AC/DC 24V
- Control signal: DC 2(0)...10V
- Position feedback: DC 2...10V


Technical data

Electrical data	Nominal voltage	AC 24V 50/60Hz, DC 24V
	Nominal voltage range	AC/DC 19.2...28.8V
	Power consumption	4.5W @ running / 2W @ holding
	Wire/transformer sizing	6.5VA
	Connection cable	Cable 1m, 4x0.75mm ²
Functional data	Torque	40Nm
	Control signal	DC 2(0)...10V (input impedance 100k Ω)
	Feedback signal	DC 2...10V
	Position accuracy	\pm 5%
	Direction of rotation	Selectable by switch
	Manual override	Gearing latch disengaged by pushbutton, self-resetting
	Angle of rotation	Max. 95°, adjustable by mechanical stops
	Running time	150s for 95°
	Sound power level	Max. 48dB(A)
	Position indication	Mechanical, remote visible
	Working conditions	Protection class
Degree of protection		IP54 in any directions
EMC		CE according to 89/336/EEC
Mode of operation		Type 1 to EN 60730-1
Ambient temperature		-30...+50°C
Non-operation temperature		-40...+80°C
Humidity test		95%RH, non condensing (EN 60730-1)
Dimensions / weight	Maintenance	Maintenance-free
	Dimensions (L x W x H)	220x116x70mm
	Shaft length	Min. 52mm (20mm for reverse mounting)
	Shaft	\varnothing 14...25.2mm
	Weight	Approximately 1700g

Dimensions [mm]


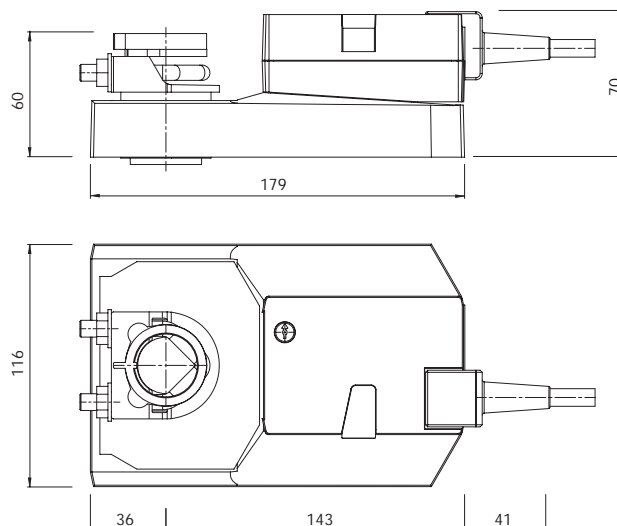
- For operation of air control dampers in HVAC system
- Torque: 40Nm
- Nominal voltage: AC 100...240V
- Control: Open/Close



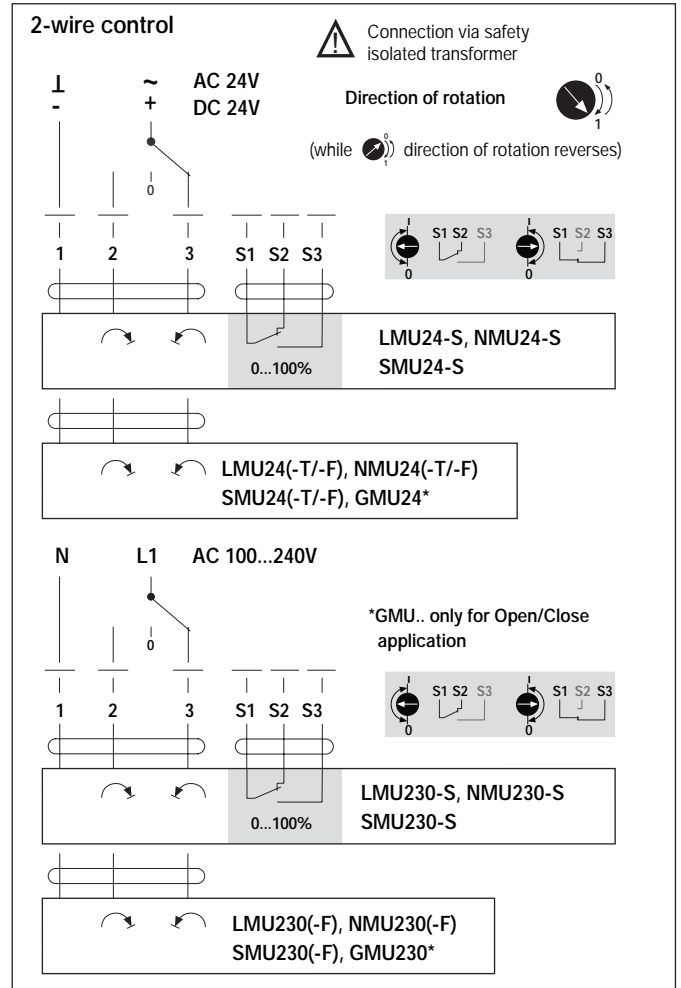
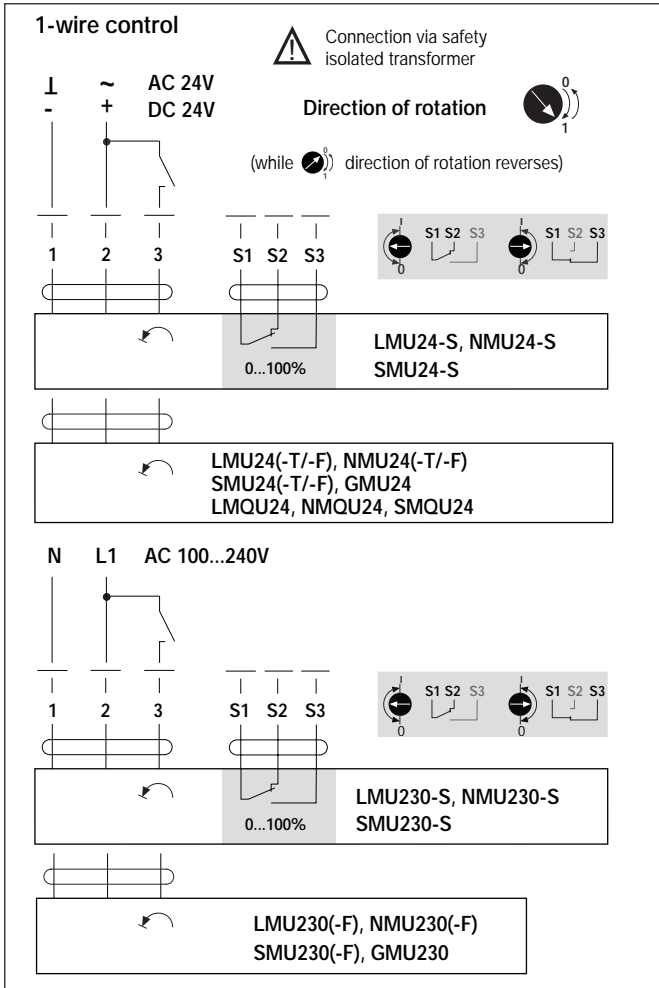
Technical data

Electrical data	Nominal voltage	AC 100...240V 50/60Hz
	Nominal voltage range	AC 85...265V
	Power consumption	5W @ running / 2W @ holding
	Wire/transformer sizing	9VA
Functional data	Connection cable	Cable 1m, 3x0.75mm ²
	Torque	40Nm
	Direction of rotation	Selectable by switch
	Manual override	Gearing latch disengaged by pushbutton, self-resetting
	Angle of rotation	Max. 95°, adjustable by mechanical stops
	Running time	150s for 95°
	Sound power level	Max. 48dB(A)
Working conditions	Position indication	Mechanical, remote visible
	Protection class	II (totally insulated) <input type="checkbox"/>
	Degree of protection	IP54 in any directions
	EMC	CE according to 89/336/EEC
	Low voltage directive	CE according to 73/23/EEC
	Mode of operation	Type 1 to EN 60730-1
	Ambient temperature	-30...+50°C
Dimensions / weight	Non-operation temperature	-40...+80°C
	Humidity test	95%RH, non condensing (EN 60730-1)
	Maintenance	Maintenance-free
	Dimensions (L x W x H)	220x116x70mm
	Shaft length	Min. 52mm (20mm for reverse mounting)
	Shaft	⌀ 14...25.2mm
	Weight	Approximately 1700g

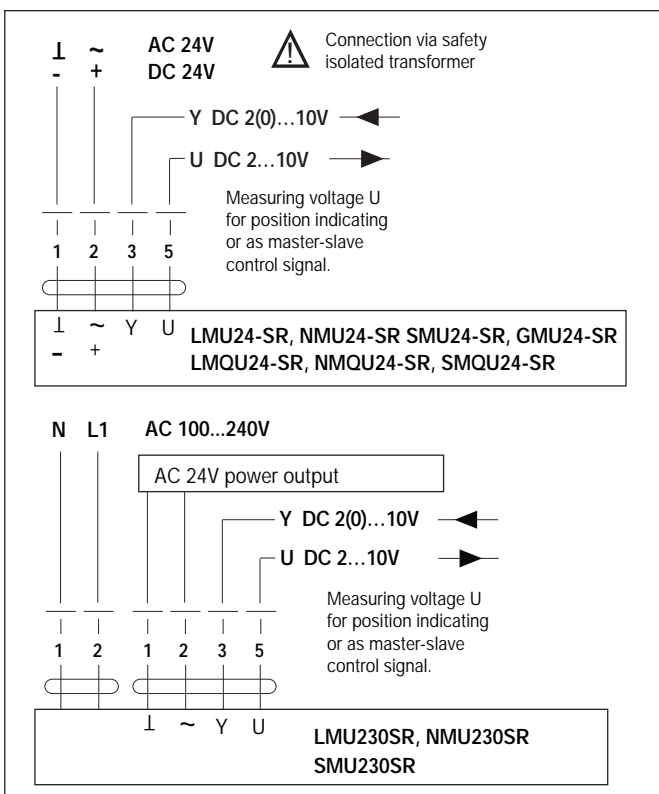
Dimensions [mm]



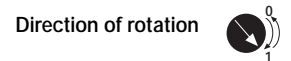
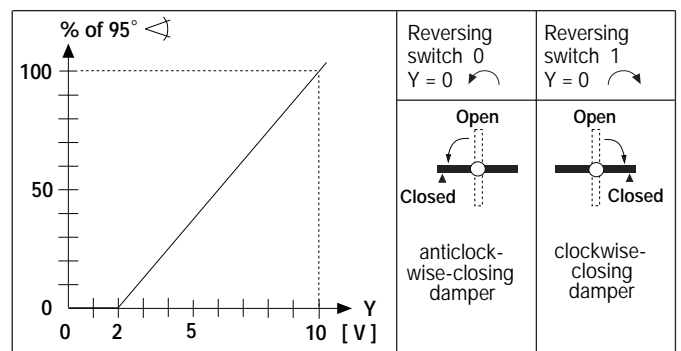
Wiring diagram: Open/Close actuators—Parallel connection possible, please note the performance data.










Wiring diagram: Modulating actuators—Parallel connection possible, please note the performance data.



Position - signal voltage



		Actuators									
		CMU	LMU	NMU	SMU	GMU	TF	LF	NF	AF	AFR
 S..A.. Auxiliary switch, add-on S1A.. 1 SPDT 3A (0.5A), AC 250V S2A.. 2 SPDT 3A (0.5A), AC 250V			•	•	•	•					
			•	•	•	•					
 P..A.. Feedback potentiometer, add-on P140A.. 140Ω P500A.. 500Ω P1000A.. 1000Ω P2800A.. 2800Ω P5000A.. 5000Ω P10000A.. 10000Ω			•	•	•	•					
			•	•	•	•					
			•	•	•	•					
			•	•	•	•					
			•	•	•	•					
			•	•	•	•					
 SGA24 Positioner for surface mounting 0...100% Reversible operating range DC 0...10V or DC 2...10V		1)	1)	1)	1)	1)	1)	1)	1)	1)	1)
 SGR24 Positioner for surface mounting 0...100% Reversible operating range DC 0...10V or DC 2...10V		1)	1)	1)	1)	1)	1)	1)	1)	1)	1)
 SGE24 Positioner for rack mounting 0...100% Reversible operating range DC 0...10V or DC 2...10V		1)	1)	1)	1)	1)	1)	1)	1)	1)	1)
 SGF24 Positioner for front-panel mounting 0...100% Reversible operating range DC 0...10V or DC 2...10V		1)	1)	1)	1)	1)	1)	1)	1)	1)	1)
 ZAD24 Digital position indicator for front-panel mounting 0...99% Front size 72x72mm Operating range DC 2...10V		1)	2)	2)	2)	2)	1)	1)	1)	1)	1)

1) For...SR
 2) For...24-SR