

## Klima-Set Differential – pressure switch for air

Klima-  
Set

**DUNGS**<sup>®</sup>  
technic

### Technique

Two connections fitted with nipple adaptors or threaded (R 3/4" – high pressure, R 1/8" low pressure)

Calibrated setting knob

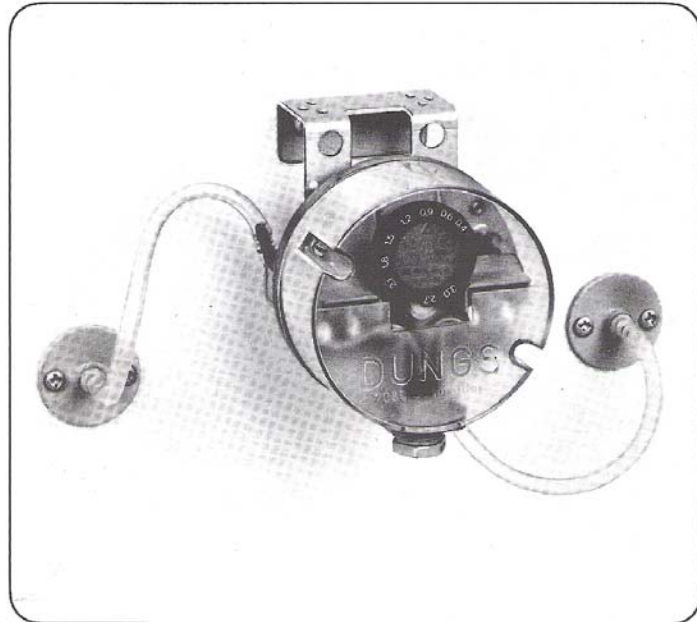
All important details visible through transparent housing

Positive switching function due to special switch

Diaphragm and switch contacts visible through safety window

High switching capacity

Complete outfit contains special wall bracket, 2 m of plastic tube, duct nipples, drilling templates, fixing screws, and full instructions packed in an attractive carton.



### Application

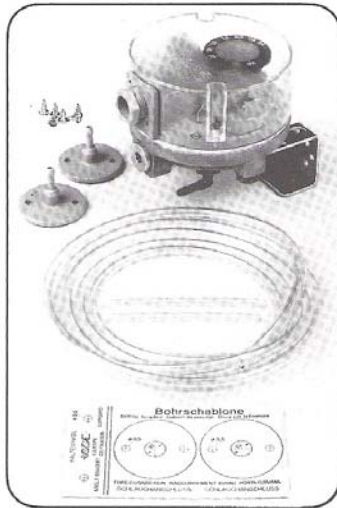
The Klima-Set is a differential pressure switch specially intended for the air moving and conditioning industries. The pressure switch is supplied complete with hose connections, in addition hose adapters for duct mounting, complete with fixing screws, paper templates, hose etc. The desired pressure difference is set (in mbar) on an accurately calibrated scale.

The LGW pressure switch give very positive indication of air flow.

Publication No.  
GB. 5.06.162490

**Klima-Set  
Differential  
Pressure switch  
for air**

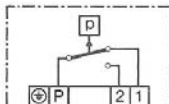
**DUNGS®  
technic**



Technical Data		1 mbar=100 Pa=10 mm WS	1 Pa=0,01 mbar=0,1 mm WS		
Type	Setting range (k Pa)	Setting range (mbar)	Switch differential $\Delta p$ (mbar)	Pressure max. (mbar)	Stock no.
LGW 3	0,04- 0,3	0,4- 3	$\leq 0,3$	600	124073
LGW 10	0,1 - 1	1,0- 10	$\leq 0,4$	600	124081
LGW 50	0,25- 5	2,5- 50	$\leq 1,0$	600	124099
LGW 150	3 -15	30 -150	$\leq 3,0$	600	124107
LGW 500	10 -50	100 -500	$\leq 10,0$	2000	124115
Operating temperature:		-15°C - +60°C			
Medium temperature:		-15°C - +80°C			
Insulation standard:		IP 54			
Switching capacity:		250 V AC/50 Hz/5 A resistive, inductive 3 A cos $\phi$ 0,6			
Cable entry:		PG 11			
Mounting position:		any. Note: If the diaphragm is mounted in a horizontal position the deviation is abt. +0,5 mbar. To be mounted in a vibrationfree place.			
Adjustment made ex works: Vertical.					

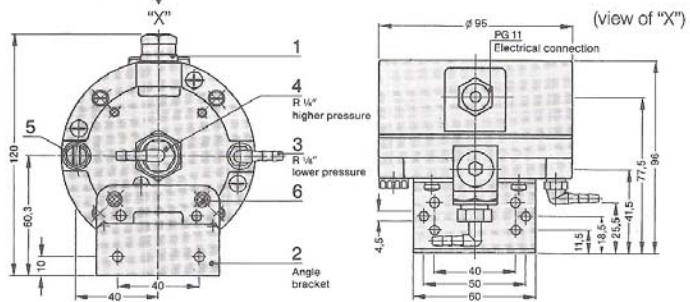
**Klima Set - kit contains:**  
 Differential pressure switch type LGW, complete with tube nipples and adaptor bracket for direct duct mounting.  
 2 mtrs of polythene tube, 6 x 4 mm  $\phi$ ,  
 6 self-tap screws  
 1 template for mounting switch  
 2 templates for duct mounting nipples

**Electrical enclosure**  
 The electrical enclosure complies with VDE requirements together with terminals and PG 11 connection.  
 (See technical data).



When pressure rises P1 opens.

**Dimensions (mm)**



- 1 = 1/4" BSP connection
- 2 = Fixing bracket
- 3 = Connection nipple "lower pressure" 4 mm

- 4 = Connection nipple "higher pressure" 4 mm
- 5 = 1/8" BSP connection
- 6 = Bracket fixing screws

We reserve the right to make alterations at any time in the course of continuing technical development.

**Karl Dungs GmbH & Co.**  
 Postfach 12 29  
 D-7060 Schorndorf  
 Telefon (0 71 81) 8 04-0  
 Telex 7 246 698 dungs d  
 West-Germany

[www.ControlMart.co.kr](http://www.ControlMart.co.kr)  
 Rm 1306, Manhattan bldg, 36-2, Yoido Dong  
 Yeongdungpo-Ku, Seoul, Korea, 150-749  
 02-784-3651~2, 2134, Fax: 02-784-1218