

2

, PN40

VVF61...



4382P01



DN15 / DN25

4382P02



DN40 ... DN150

2 , PN40

- : DN15 ... DN150 mm
- : Cast steel GS-C 25 N (DN15, DN25)
- : Cast steel GS-45 (DN40 ... DN150)
- (k_{vs}) : 0.19...300 m³/h
- : 20 40 mm
- 가 : SKD..., SKB..., SKC...

(DIN 32730).

(Use)

(Media)

()	-25 ... +220 °C
() 1) 2)	
/	-25 ... +220 °C
DN15 and 25 (17 bar abs.) DN40...150 (11 bar abs.) 1) 2)	
()	220 ... 300/350 °C ³⁾ 4)
(Thermo oil)	

1) 0 °C : 가 (ASZ6.5)가

2) : -10 °C DIN 3158 (stress case I)
-25 °C DIN 3158 (stress case II)

3) 220 ... 300 / 350 °C

4) . (MX series data sheets 4700 ... 4799)

(Type summary)

	DN [mm]	k_{vs} [m ³ /h]	S_v	$\Delta p_{vmax.}$ [kPa]
VVF61.09	15/1	0.19	>50	1600
VVF61.10	15/1.5	0.3		
VVF61.11	15/2.5	0.45		
VVF61.12	15/4	0.7		
VVF61.13	15/6	1.2		
VVF61.14	15/10	1.9		
VVF61.15	15	3		
VVF61.23	25/15	3	>100	1000
VVF61.24	25/20	5		
VVF61.25	25	7.5		
VVF61.39	40/32	12	>50	700
VVF61.40	40	19		450
VVF61.50	50	31	>100	300
VVF61.65	65	49		200
VVF61.80	80	78		
VVF61.90	100	124		
VVF61.91	125	200		
VVF61.92	150	300		

(...2)

		:
	220 ... 300 / 350 °C	VVF61.502 ¹⁾

1) 220 °C ...300/350 °C 가

DN =
 k_{vs} = (VDI 2173)
 S_v = Rangeability (VDI 2173)

$\Delta p_{vmax.}$ =

가 0 °C

가 (AC24V)

ASZ6.5

(Accessories)

(Ordering)

) VVF61.50

(Delivery)

(Equipment combinations)

	H_{100} [mm]	1)					
		SKD... ²⁾		SKB...		SKC...	
		Δp_{max}	Δp_s	Δp_{max}	Δp_s	Δp_{max}	Δp_s
VVF61.09 ... VVF61.15	20	1600	4000	1600	4000		
VVF61.23 ... VVF61.25			2250				
VVF61.39 ... VVF61.40							
VVF61.50	40						
VVF61.65						1000	4000
VVF61.80						700	
VVF61.90						450	
VVF61.91						300	
VVF61.92						200	
Data sheet		4561		4564			

- 1) 가 : • AC 24 V / AC 230 V (3-position)
 • AC 24 V (: DC 0...10 V DC 4...20 mA)
- 2) 140 °C 가 .
- H_{100} = 100 %
- Δp_{max} =
- Δp_s = 가 (closing pressure)

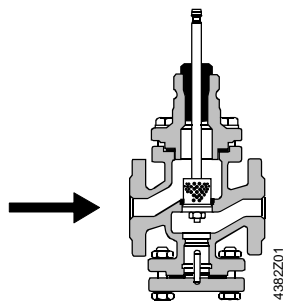
(Pneumatic actuators)

- DN15 DN25 ..
- DN40 ... DN150,

가 .
 Δp_{max} Δp_s VVF41... (4340)

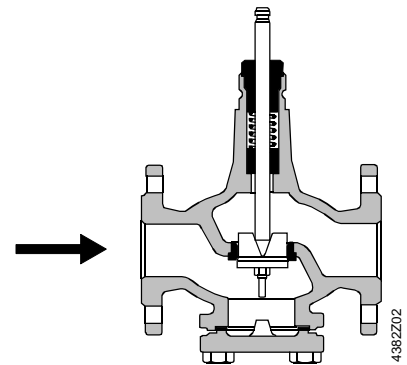
(Mechanical design)

(Valve cross)



DN15/DN25

가



DN40 ... DN150

가

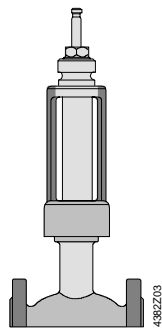
(seat)가



2

3

(Thermal insulator)

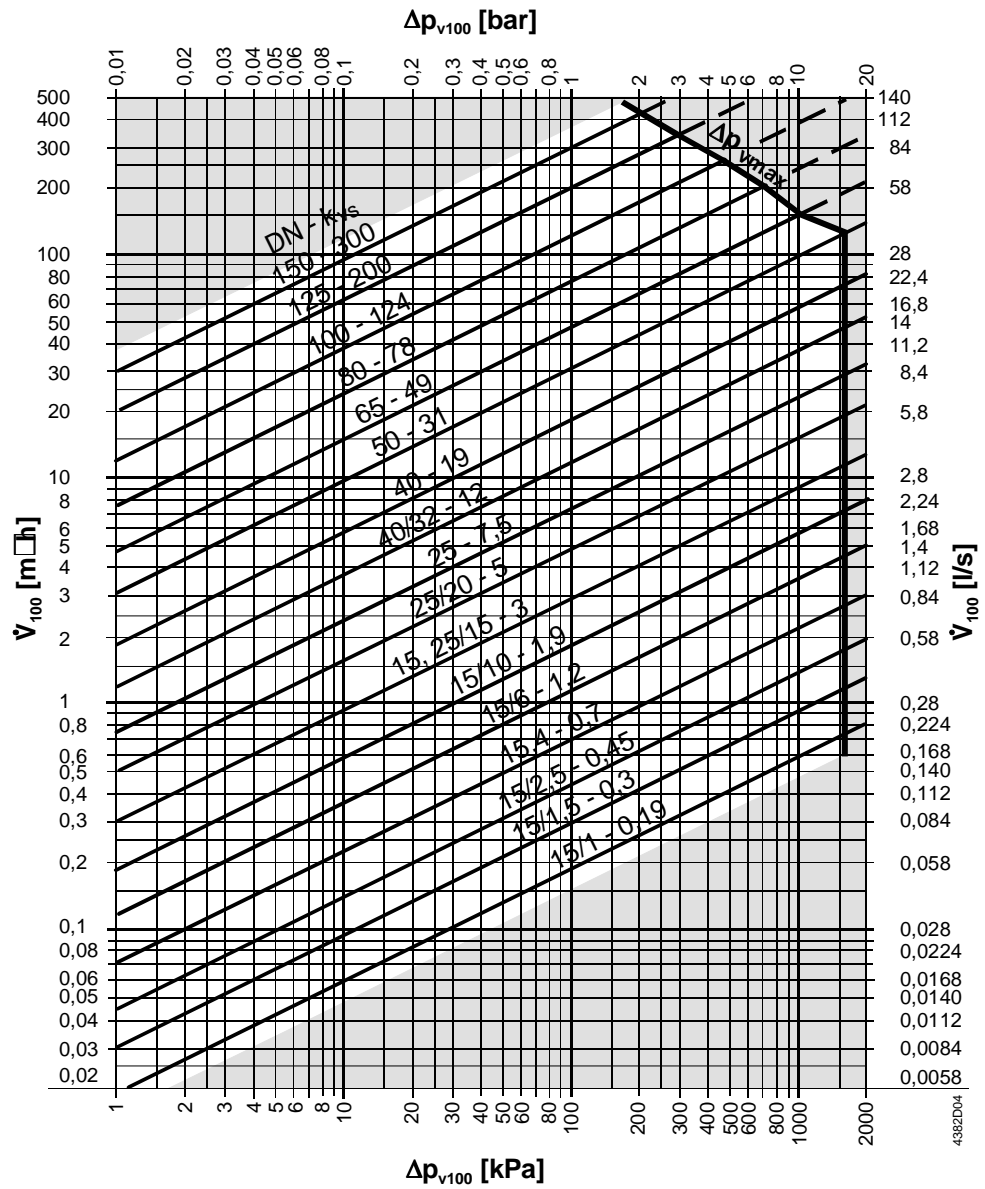


: (2)
 220 °C...300 / 350 °C 가

(Disposal)

(Sizing)

(Flow diagram)



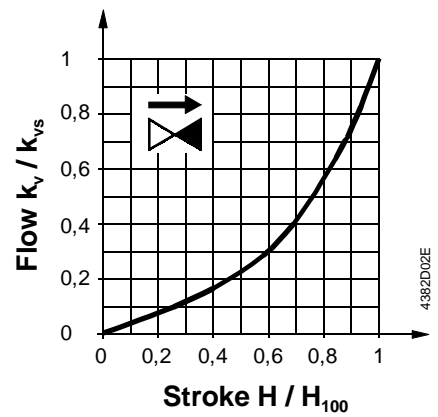
$p_{vmax.} =$

$p_{v100} =$ 가 100% . (kPa, bar)

$\dot{V}_{100} =$ (m³/h l/s)

100 kPa = 1 bar ≈ 10 mWG

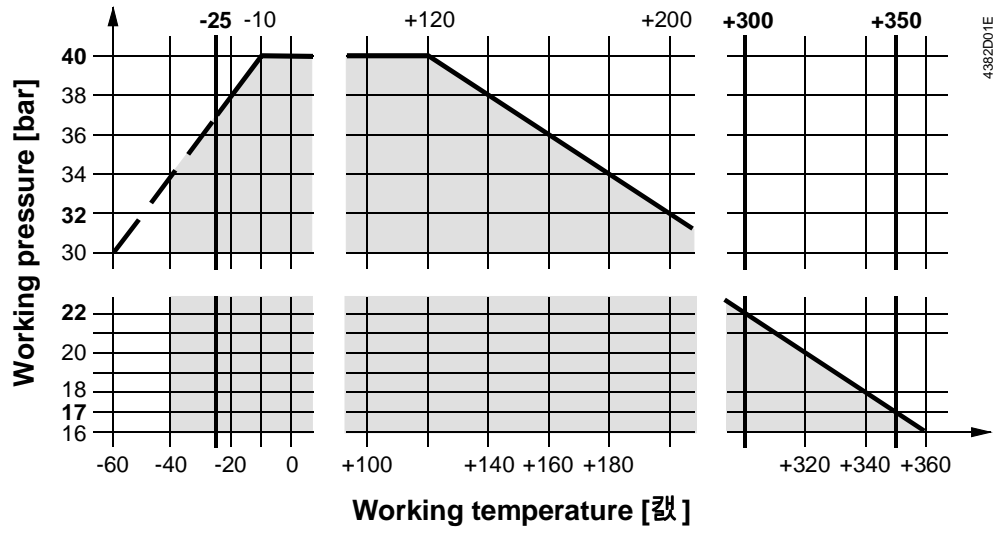
(Valve flow characteristic)



0 ... 30 % ⇒ (linear)

30 ... 100 % ⇒ $n_{gl} = 3$ as per VDI / VDE2173

(Working pressure and temperature)



4382D01E

-25 ... +300/350 °C (DIN 4747 DIN 3158)
ISO 7268 EN 1333

(Notes)

(Engineering)

: VDI 2035



SKC...

SKB...,

2 3



가 0 °C

가

(ASZ6.5 : AC 24 V / 30 W)

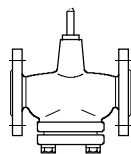


- GS-C 25 N = max. 350 °C (DN15 / DN25)
- GS-45 = max. 300 °C (DN40 ... DN150)

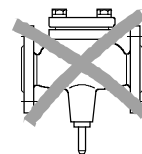
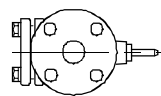
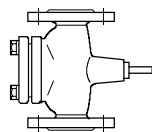
(Mounting)

(2)

(Mounting positions)



가



가

4382Z07



(Direction of flow)

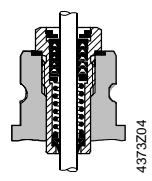
(Commissioning) ⚠ () 가 .
: 가
:

(Service) ⚠ 가 .

(Stem sealing gland) 가 , 가

(Spare parts)

DN15 / DN25 :

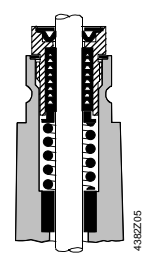


-25 ... +300/+350 °C -25 ... +140 °C (,) , 가 (PTFE-O-ring)

DN15 ... DN150 :
2

VVF61... DN15 and DN25 (10 mm) **4 284 8829 0**
VVF61 ... 2 DN15 ... DN150 (10 mm) **4 284 8829 0**

DN40 ... DN150:



-25 ... +220 °C (,) , (PTFE-O-ring)

VVF61... DN40 ... DN150 (14 mm) **4 679 5630 0**

(Warranty)

“ ” ()
“ ” $\Delta p_{max}, \Delta p_s$, “
” **SIEMENS**

(Technical data)

PN class

PN40

(Function data)0 ... 30 %
30 ... 100 %

(linear)

 $n_{gl} = 3$ (VDI / VDE 2173) $k_{vs} = 0 \dots 0.02$ % of (VDE / VDI 2173)

4000 kPa (40 bar), ISO 7268 / EN 1333

-25...+300/350 °C DIN 4747 / DIN 3158

ISO 7005

– DN15 ... DN50
– DN65 ... DN150

20 mm

40 mm

(Materials)DN15 / DN25
DN40 ... DN150

Cast steel

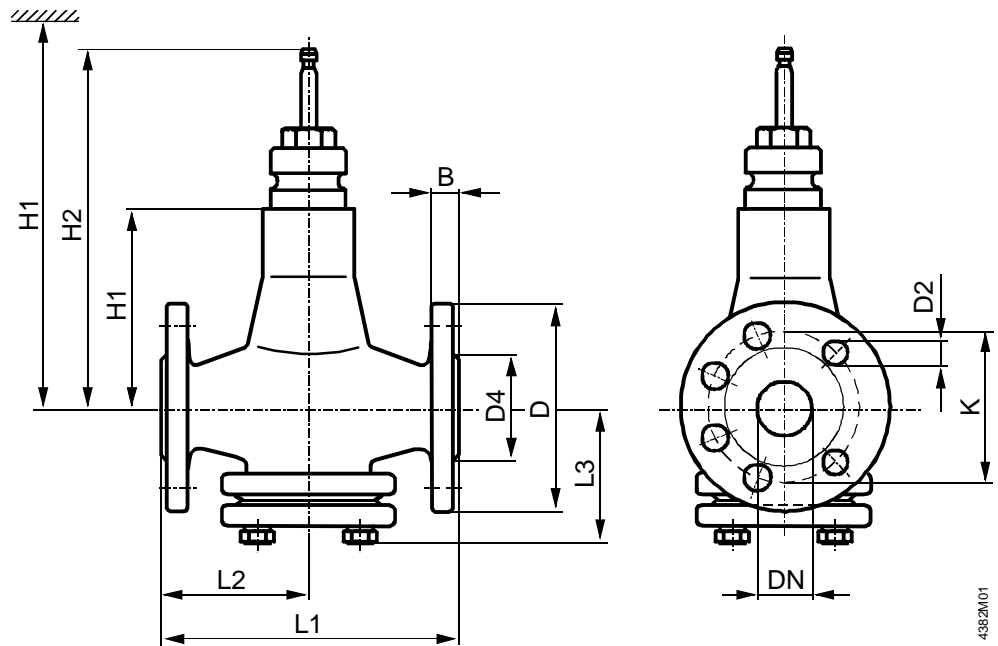
GS-C 25 N (DIN 17245)

GS-45 (DIN 1681)

PTFE sleeves

: mm

(Dimensions)



4382M/01

DN [mm]	B	D dia.	D2 dia.	D4 dia.	H1	H2	K	L1	L2	L3	[kg]
15	14	95	14 (4x)	46	96	192.5	65	130	65	90	5.7
25	16	115	14 (4x)	65	111	207.5	85	160	80	107	9.0
40	18	150	18 (4x)	84	136	232.5	110	200	100	102	14.8
50	20	165	18 (4x)	99	136	232.5	125	230	115	107	17.5
65	22	185	18 (8x)	118	162	278.5	145	290	145	138	30.0
80	24	200	18 (8x)	132	170	286.5	160	310	155	150	37.0
100	24	235	22 (8x)	156	180	296.5	190	350	175	173	53.0
125	26	270	26 (8x)	184	200	316.5	220	400	200	195	76.0
150	28	300	26 (8x)	211	225	341.5	250	480	240	219	112.0

DN [mm]	SKD...	H SKB...	SKC...
15	> 596	> 671	
25	> 611	> 686	
40	> 636	> 711	
50	> 636	> 711	
65			> 737
80			> 745
100			> 755
125			> 775
150			> 800

DN =

H =

H1 =

H2 =

가